

Neo-Dyn® Series 132TC Temperature Switch/Internal Adjustment



**Explosion Proof
Hermetically Sealed
(NEMA 7 and 9)**

DESCRIPTION

Compact, adjustable temperature switch featuring the Nega-Rate® Belleville disc spring for set point stability and vibration resistance. Available with all stainless steel exterior and interior construction together with a hermetically sealed, explosion-proof electrical assembly. Ideally suited for applications involving hazardous and corrosive medias or environments. Comes with capillary for remote mount up to 25 feet.

Operating Temperature Data

Adjustable Range	Adjustable Set Point Range		Deadband† (approximate) Bottom/Top of Range °F	Proof Temperature °F
	Increasing °F	Decreasing °F		
B	-50 to +30	-69 to +26	19/4	250
D	+30 to +125	+7 to +121	23/4	300
F	+95 to +200	+70 to +196	25/4	400
H	+115 to +230	+89 to +224	26/6	400
J	+175 to +300	+146 to +294	29/6	500
L	+260 to +360	+236 to +356	24/4	500
N	+290 to +395	+263 to +391	27/4	500
P	+365 to +480	+338 to +476	27/4	600
R	+485 to +655	+445 to +646	40/9	750

†Deadband decreases as the adjustable set point is increased.

Standard Specifications

Electrical

Snap action electrical switch listed by Underwriters' Laboratories, Inc., Factory Mutual and CSA Testing Laboratories

Electrical Connection

½" - 14 NPT male conduit connection with PVC insulated 18 AWG leads 18" long

Process Connection

½" - 14 NPT Male
Remote mount
Stainless steel 6' capillary with armor jacket, 10" minimum bendable tubing and ½" adjustable gland nut. Optional capillary lengths available.

System Pressure

1500 psig maximum

Proof Pressure

2250 psig

Adjustment

Internal, slotted adjustment nut with range scale

Temperature Range

Ambient: -40°F to +180°F
(-40°C to +82°C)

Shipping Weight

Approximately 3.5 pounds

Ordering Sequence — Select desired option for each category

OPTIONS

Wetted Material

5 300 series stainless steel, graphite filled non-asbestos packing

Adjustable Range

B -69°F dec. to +30°F inc.
D +7°F dec. to +125°F inc.
F +70°F dec. to +200°F inc.
H +89°F dec. to +230°F inc.
J +146°F dec. to +300°F inc.
L +236°F dec. to +360°F inc.
N +263°F dec. to +395°F inc.
P +338°F dec. to +480°F inc.
R +445°F dec. to +655°F inc.

Electrical Form

C 11 amps and ¼ hp 125 or 250 VAC; 5 amps resistive, 3 amps inductive 28 VDC; .5 amps resistive 125 VDC
CC 11 amps and ¼ hp 125 or 250 VAC; 5 amps resistive, 3 amps inductive 28 VDC; .5 amps resistive 125 VDC

Enclosure

6 Explosion proof • factory sealed • hermetically sealed electrical assembly
P/N 057-0030 (C Form); P/N 057-0057 (CC Form). **Underwriters' Laboratories, Inc.** listed (file #E56677) or **Canadian Standards Association** certified (file #34146) for Division 1 and 2; Class I, Groups A, B, C and D; Class II, Groups E, F and G hazardous locations (NEMA 7 and 9)

Miscellaneous

A Epoxy paint exterior — extra protection for severe environments
H Stainless steel body
I ¾" Conduit box with terminal strip
J Annealed stainless steel port screws for H₂S environments
M Gold electrical contacts for extremely low current applications
N CENELEC approval
R 72" Electrical free leads

Optional Capillary Lengths

10', 15', 20' and 25' lengths available
(insert appropriate number at end of model number — see Example)

Special (Consult representative or factory)

- Thermowells
- Non-catalog adjustable range and/or set point and deadband

Ordering Procedure

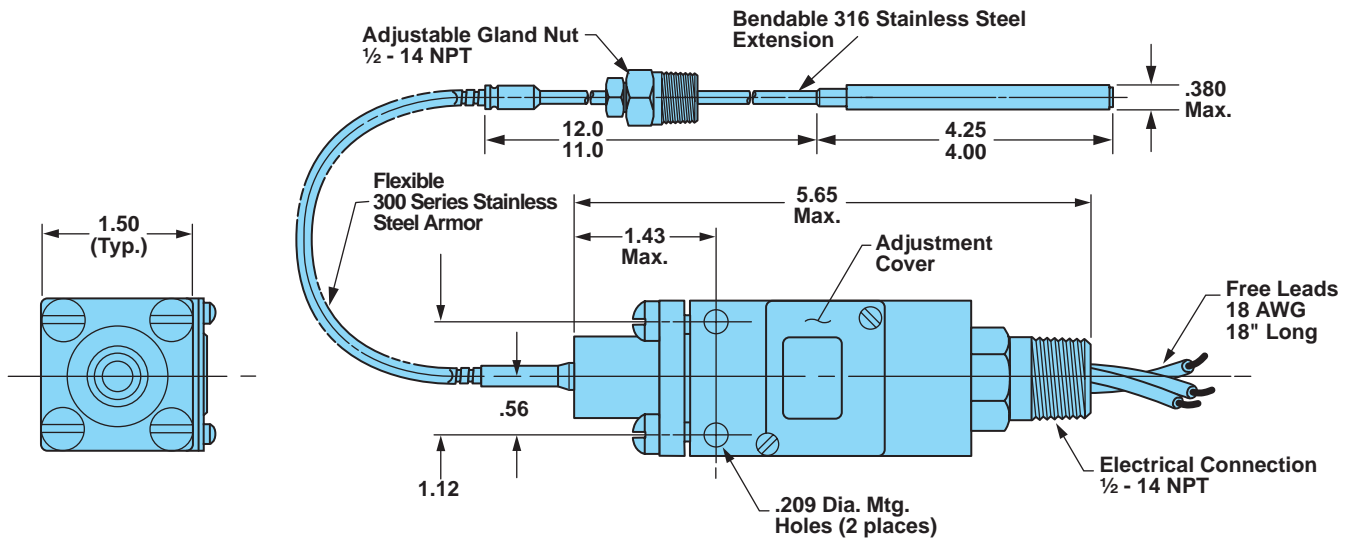
- When factory presetting is desired, stipulate set point, increasing or decreasing
- Insert available option number or letter designation as required

Example

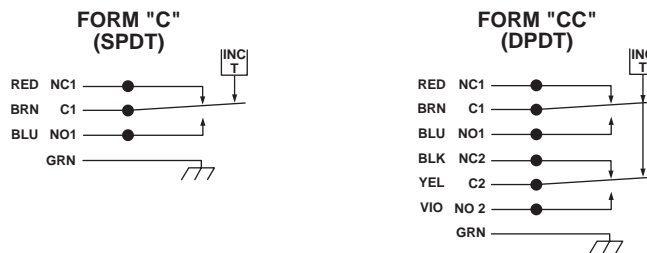
Series
Wetted Material
Adjustable Range
Electrical Form (specify)
Enclosure
Miscellaneous
Optional Capillary Length

132TC5B CC 6

Envelope Dimensions



Electrical Form



Basic Principles of Design

