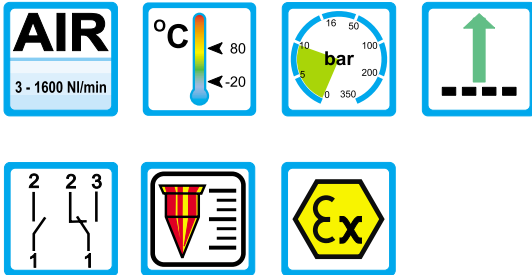


Flow Monitor Flow Indicator

DWG-L



Range of Application

Operation

- Float measuring principle

Application

- Mechanical engineering
- Medicine technology
- Pharma industry
- Chemical industry
- Research and development

Charakteristika

- High reliability
- High switch accuracy
- Wide switch range
- Infinitely variable switchpoint adjustment through user
- EX-version to ATEX available
- Scales are burned into the sightglass
- Threaded connections, special threads on request

Installation hints

- The operating instructions for DWG-L must be observed!
- Download: www.meister-flow.com

Operating Data

Operating pressure max.	10 bar
Pressure drop	0,01 - 0,2 bar
Maximum temperature	80 °C
Accuracy	±10 % of full scale

Measuring Ranges

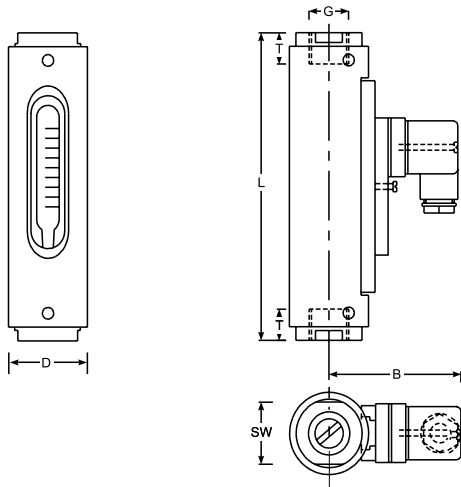
Type	Switch range Air at 1 bar abs. and 20 °C ⁽¹⁾		
	[NI/min]	[SCFH]	[SCFM]
DWG-L1,5	3 - 30	6,5 - 63,5	
DWG-L3	6 - 60	13,0 - 127,0	
DWG-L8	6 - 160	13,0 - 340,0	
DWG-L12	20 - 220	42,0 - 465,0	
DWG-L18	40 - 360	85,0 - 760,0	
DWG-L35	60 - 700		2,1 - 24,7
DWG-L50	60 - 825		2,0 - 29,0
DWG-L100	200 - 1600		7,0 - 56,5

⁽¹⁾ The specified data are switch-off points, other switch ranges on request.

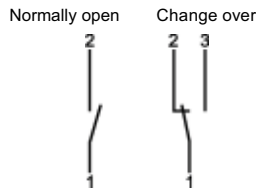


Technical Data

Mechanical drawing



Connection diagram



Summary of types

Type:	Overall dimensions [mm]							Weight approx. [g]
	SW	D	B	G	DN	T	L	
DWG-L1,5				1/4"	8	14	132	
DWG-L3	32	43	73	3/8"	10	14	135	625
DWG-L8				1/2"	15	15	135	
DWG-L12				1/2"	15	15	163	
DWG-L18	32	43	73	3/4"	20	16	167	650
DWG-L35	41	50	76	3/4"	20	18	164	850
DWG-L50	41	50	76	1"	25	19	184	1000
DWG-L100	41	50	76	1"	25	19	204	1100

Electrical Data

Change over	250V • 1,5A • 50VA ⁽²⁾
Normally open	250V • 3A • 100VA

ATEX II 2 G Ex mb II T6 & ATEX II 2 D Ex tD A21 IP67 T80 °C
ATEX II 2 G Ex mb II T5 & ATEX II 2 D Ex tD A21 IP67 T100 °C

Change over	250V • 1A • 30VA
Normally open	250V • 2A • 60VA

Change over M 12x1 (-20 °C - 85 °C)	250V • 1,5A • 50VA ⁽²⁾
--	-----------------------------------

Normally open M 12x1 (-20 °C - 85 °C)	250V • 3A • 100VA
--	-------------------

Change over SPS	250V • 1A • 60VA
------------------------	------------------

Ingress Protection:

IP65: plug connection DIN 43650 Form A

IP67: 1 m sealed in cable, (with EEx-version 2 m)
 or plug connection M 12x1

Output signal

The contact opens / changes when the flow decreases below the set point.

Power supply

Not required (potentialfree reed contacts)

Plug types

Other plug types or cable lengths on request

⁽²⁾ Minimum load 3 VA

Material

Brass version

Wetted parts:

Float:	POM
Sightglass:	Duran® 50
Gaskets:	NBR
	(optional FKM, EPDM) ⁽³⁾

All other wetted parts: Brass nickel-plated

Not wetted Parts:

Housing:	Aluminium anodized
----------	--------------------

Stainless steel version

Wetted parts:

Float:	POM
Sightglass:	Duran® 50
Gaskets:	FKM
	(optional NBR, EPDM) ⁽³⁾

All other wetted parts: 1.4571

Not wetted Parts:

Housing:	Aluminium anodized
----------	--------------------

⁽³⁾ Other gasket materials on request

