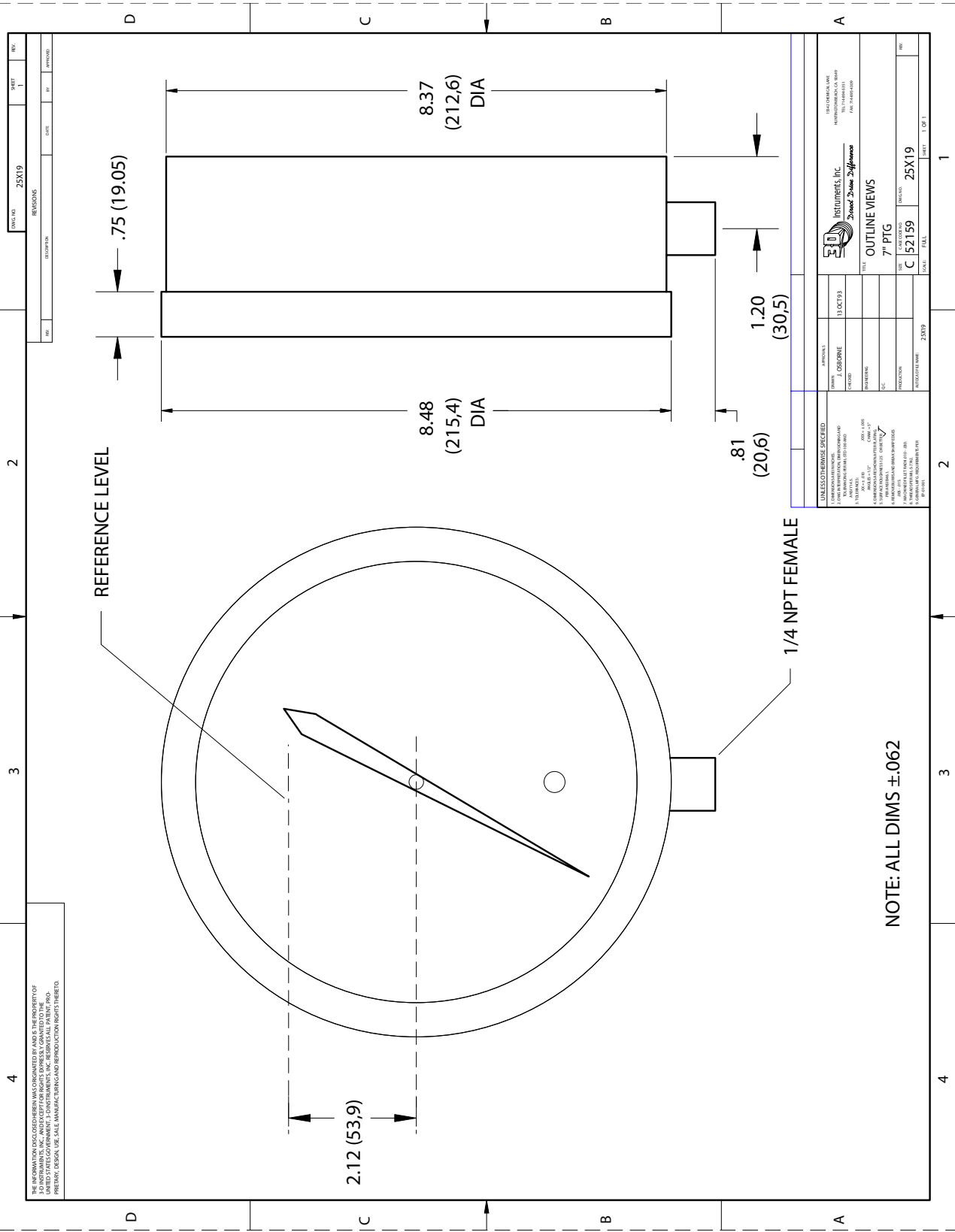


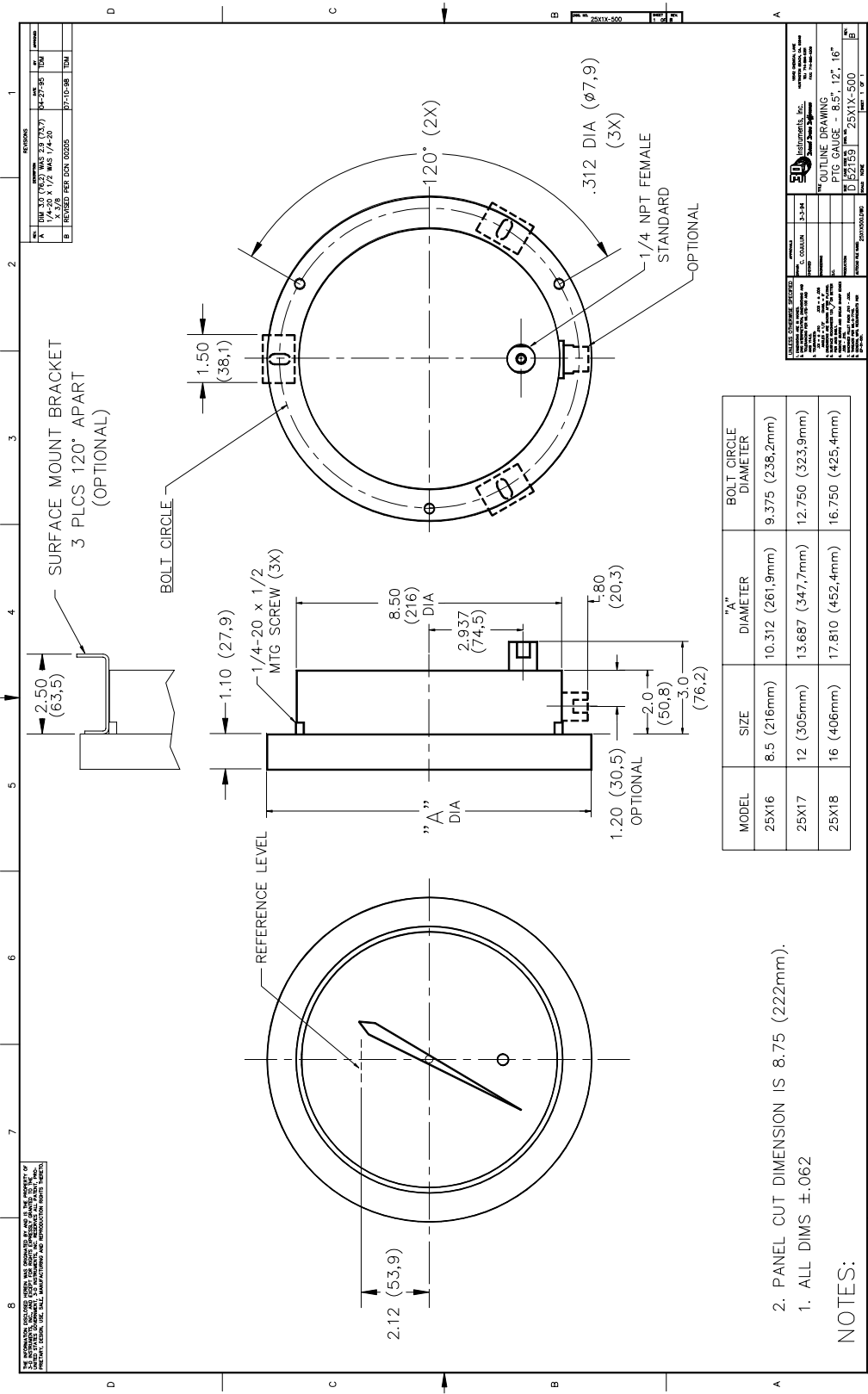
DATE: 25X19			REV: 1		
NO.	DESCRIPTION	DATE	BY	APPROVED	

THE INFORMATION DISCLOSED HEREIN WAS OBTAINED BY AND IS THE PROPERTY OF 3-D INSTRUMENTS, INC. AND EXCEPT FOR RIGHTS EXPRESSLY GRANTED TO THE BUYER, NO OTHER RIGHTS, INCLUDING BUT NOT LIMITED TO, REVERSE ENGINEERING, DESIGN, USE, SALE, MANUFACTURING AND REPRODUCTION RIGHTS HERETO.



UNLESS OTHERWISE SPECIFIED:	STANDARD:	DATE:	REV:
SYMBOLS AND DIMENSIONS:	ANSI Y14.5-2018	13 OCT 19	1
FINISHES:	AS SUPPLIED		
PROTECTIONS:	AS SUPPLIED		
DRILLING:	AS SUPPLIED		
TOLERANCES:	AS SUPPLIED		
FORMING:	AS SUPPLIED		
PRODUCTION:	AS SUPPLIED		
AUTHOR:	J. OSORNE		
DATE:	13 OCT 19		
REV:	1		
PRODUCTION:	13 OCT 19		
AUTHOR:	J. OSORNE		
DATE:	13 OCT 19		
REV:	1		
PRODUCTION:	13 OCT 19		
AUTHOR:	J. OSORNE		
DATE:	13 OCT 19		
REV:	1		
PRODUCTION:	13 OCT 19		
AUTHOR:	J. OSORNE		
DATE:	13 OCT 19		
REV:	1		
PRODUCTION:	13 OCT 19		
AUTHOR:	J. OSORNE		
DATE:	13 OCT 19		
REV:	1		
PRODUCTION:	13 OCT 19		
AUTHOR:	J. OSORNE		
DATE:	13 OCT 19		
REV:	1		
PRODUCTION:	13 OCT 19		

3-D Instruments, Inc. 25X19	5.0 3-D Instruments, Inc. 25X19			
TITLE: 25X19	TITLE: 25X19			
C 15Z159	7" PTG			
25X19	25X19			
LOCAL	FULL	DATE	1 OF 1	



REVISIONS	
NO.	DATE
1	1/18/2013
2	1/18/2013
3	1/18/2013

REV.	DESCRIPTION
1	1/18/2013 (7/18/2013) - 2527495 - TDM
2	1/18/2013 (7/18/2013) - 2527495 - TDM
3	1/18/2013 (7/18/2013) - 2527495 - TDM

NO.	DATE	BY
1	1/18/2013	2527495
2	1/18/2013	2527495
3	1/18/2013	2527495

REV.	DESCRIPTION
1	1/18/2013 (7/18/2013) - 2527495 - TDM
2	1/18/2013 (7/18/2013) - 2527495 - TDM
3	1/18/2013 (7/18/2013) - 2527495 - TDM

NO.	DATE	BY
1	1/18/2013	2527495
2	1/18/2013	2527495
3	1/18/2013	2527495

REV.	DESCRIPTION
1	1/18/2013 (7/18/2013) - 2527495 - TDM
2	1/18/2013 (7/18/2013) - 2527495 - TDM
3	1/18/2013 (7/18/2013) - 2527495 - TDM

MODEL	25X16	25X17	25X18
SIZE	8.5 (216mm)	12 (305mm)	16 (406mm)
"A" DIAMETER	10.312 (261.9mm)	13.667 (347.7mm)	17.810 (452.4mm)
BOLT CIRCLE DIAMETER	9.375 (238.2mm)	12.750 (323.9mm)	16.750 (425.4mm)

MODEL	25X16	25X17	25X18
SIZE	8.5 (216mm)	12 (305mm)	16 (406mm)
"A" DIAMETER	10.312 (261.9mm)	13.667 (347.7mm)	17.810 (452.4mm)
BOLT CIRCLE DIAMETER	9.375 (238.2mm)	12.750 (323.9mm)	16.750 (425.4mm)

MODEL	25X16	25X17	25X18
SIZE	8.5 (216mm)	12 (305mm)	16 (406mm)
"A" DIAMETER	10.312 (261.9mm)	13.667 (347.7mm)	17.810 (452.4mm)
BOLT CIRCLE DIAMETER	9.375 (238.2mm)	12.750 (323.9mm)	16.750 (425.4mm)

MODEL	25X16	25X17	25X18
SIZE	8.5 (216mm)	12 (305mm)	16 (406mm)
"A" DIAMETER	10.312 (261.9mm)	13.667 (347.7mm)	17.810 (452.4mm)
BOLT CIRCLE DIAMETER	9.375 (238.2mm)	12.750 (323.9mm)	16.750 (425.4mm)

MODEL	25X16	25X17	25X18
SIZE	8.5 (216mm)	12 (305mm)	16 (406mm)
"A" DIAMETER	10.312 (261.9mm)	13.667 (347.7mm)	17.810 (452.4mm)
BOLT CIRCLE DIAMETER	9.375 (238.2mm)	12.750 (323.9mm)	16.750 (425.4mm)

MODEL	25X16	25X17	25X18
SIZE	8.5 (216mm)	12 (305mm)	16 (406mm)
"A" DIAMETER	10.312 (261.9mm)	13.667 (347.7mm)	17.810 (452.4mm)
BOLT CIRCLE DIAMETER	9.375 (238.2mm)	12.750 (323.9mm)	16.750 (425.4mm)

MODEL	25X16	25X17	25X18
SIZE	8.5 (216mm)	12 (305mm)	16 (406mm)
"A" DIAMETER	10.312 (261.9mm)	13.667 (347.7mm)	17.810 (452.4mm)
BOLT CIRCLE DIAMETER	9.375 (238.2mm)	12.750 (323.9mm)	16.750 (425.4mm)

MODEL	25X16	25X17	25X18
SIZE	8.5 (216mm)	12 (305mm)	16 (406mm)
"A" DIAMETER	10.312 (261.9mm)	13.667 (347.7mm)	17.810 (452.4mm)
BOLT CIRCLE DIAMETER	9.375 (238.2mm)	12.750 (323.9mm)	16.750 (425.4mm)

MODEL	25X16	25X17	25X18
SIZE	8.5 (216mm)	12 (305mm)	16 (406mm)
"A" DIAMETER	10.312 (261.9mm)	13.667 (347.7mm)	17.810 (452.4mm)
BOLT CIRCLE DIAMETER	9.375 (238.2mm)	12.750 (323.9mm)	16.750 (425.4mm)

2. PANEL CUT DIMENSION IS 8.75 (222mm).
 1. ALL DIMS ±.062

NOTES:

PLEASE CONSULT THE FOLLOWING WEBSITE FOR THE LATEST REVISIONS: www.3d.com

3D INSTRUMENTALS, INC.
 1000 S. 100th Ave.
 Suite 200
 Kent, WA 98148
 Phone: 206.835.3333
 Fax: 206.835.3334
 Email: info@3dinstrumentals.com
 Website: www.3dinstrumentals.com

OUTLINE DRAWING
 25X16-8.5" - 12" - 16"
 25X16-8.5" - 12" - 16"
 25X16-8.5" - 12" - 16"
 25X16-8.5" - 12" - 16"

DATE: 01/18/2013
 TIME: 10:28:10 AM
 USER: TDM
 PLOT: 1 OF 1

25X16-8.5" - 12" - 16"
 25X16-8.5" - 12" - 16"
 25X16-8.5" - 12" - 16"
 25X16-8.5" - 12" - 16"

25X16-8.5" - 12" - 16"
 25X16-8.5" - 12" - 16"
 25X16-8.5" - 12" - 16"
 25X16-8.5" - 12" - 16"

25X16-8.5" - 12" - 16"
 25X16-8.5" - 12" - 16"
 25X16-8.5" - 12" - 16"
 25X16-8.5" - 12" - 16"

25X16-8.5" - 12" - 16"
 25X16-8.5" - 12" - 16"
 25X16-8.5" - 12" - 16"
 25X16-8.5" - 12" - 16"

25X16-8.5" - 12" - 16"
 25X16-8.5" - 12" - 16"
 25X16-8.5" - 12" - 16"
 25X16-8.5" - 12" - 16"

25X16-8.5" - 12" - 16"
 25X16-8.5" - 12" - 16"
 25X16-8.5" - 12" - 16"
 25X16-8.5" - 12" - 16"