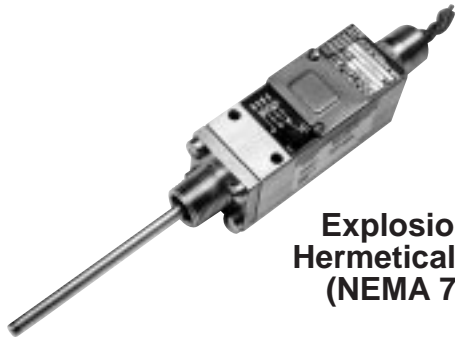


Neo-Dyn® Series 132T Temperature Switch/Internal Adjustment



**Explosion Proof
Hermetically Sealed
(NEMA 7 and 9)**

DESCRIPTION

Compact, adjustable, direct mount temperature switch featuring the Nega-Rate® Belleville disc spring for set point stability and vibration resistance. Available with all stainless steel exterior and interior construction together with a hermetically sealed, explosion-proof electrical assembly. Ideally suited for applications involving hazardous and corrosive medias or environments.

Operating Temperature Data

Adjustable Range	Adjustable Set Point Range		Deadband† (approximate) Bottom/Top of Range °F	Proof Temperature °F
	Increasing °F	Decreasing °F		
B	-50 to +30	-69 to +26	19/4	250
D	+30 to +125	+7 to +121	23/4	300
F	+95 to +200	+70 to +196	25/4	400
H	+115 to +230	+89 to +224	26/6	400
J	+175 to +300	+146 to +294	29/6	500
L	+260 to +360	+236 to +356	24/4	500
N	+290 to +395	+263 to +391	27/4	500

†Deadband decreases as the adjustable set point is increased.

Standard Specifications

Electrical

Snap action electrical switch listed by Underwriters' Laboratories, Inc., Factory Mutual and CSA Testing Laboratories

Electrical Connection

½" - 14 NPT male conduit connection with PVC insulated 18 AWG leads 18" long

Process Connection

½" - 14 NPT Male
Direct mount

System Pressure

1500 psig maximum

Proof Pressure

2250 psig

Adjustment

Internal, slotted adjustment nut with range scale

Temperature Range

Ambient: -40°F to +180°F
(-40°C to +82°C)

Shipping Weight

Approximately 2.5 pounds

Ordering Sequence — Select desired option for each category

OPTIONS

Wetted Material

4 300 series stainless steel port and probe assembly, Teflon seal

Adjustable Range

B -69°F dec. to +30°F inc.
D +7°F dec. to +125°F inc.
F +70°F dec. to +200°F inc.
H +89°F dec. to +230°F inc.
J +146°F dec. to +300°F inc.
L +236°F dec. to +360°F inc.
N +263°F dec. to +395°F inc.

Electrical Form

C 11 amps and ¼ hp 125 or 250 VAC; 5 amps resistive, 3 amps inductive 28 VDC; .5 amps resistive 125 VDC
CC 11 amps and ¼ hp 125 or 250 VAC; 5 amps resistive, 3 amps inductive 28 VDC; .5 amps resistive 125 VDC

Enclosure

6 Explosion proof • factory sealed • hermetically sealed electrical assembly P/N 057-0030 (C Form); P/N 057-0057 (CC Form). Underwriters' Laboratories, Inc. listed (file #E56677) or Canadian Standards Association certified (file #34146) for Division 1 and 2; Class I, Groups A, B, C and D; Class II, Groups E, F and G hazardous locations (NEMA 7 and 9)

Miscellaneous

A Epoxy paint exterior — extra protection for severe environments
H Stainless steel body
I ¾" Conduit box with terminal strip
J Annealed stainless steel port screws for H₂S environments
M Gold electrical contacts for extremely low current applications
N CENELEC approval
R 72" Electrical free leads

Special (Consult representative or factory)

- Thermowells
- Non-catalog adjustable range and/or set point and deadband

Ordering Procedure

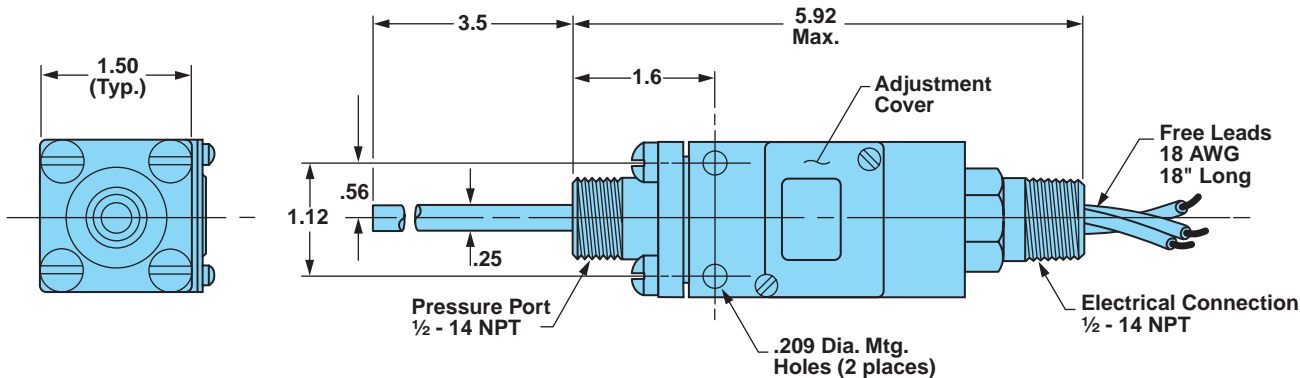
- When factory presetting is desired, stipulate set point, increasing or decreasing
- Insert available option letter designation as required

Example

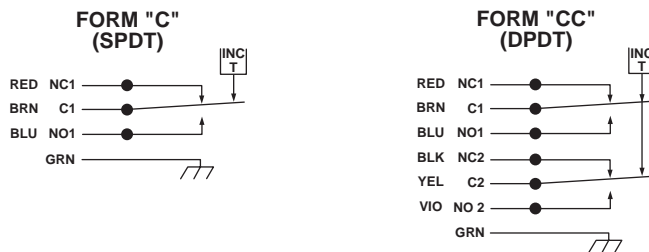
Series
 Wetted Material
 Adjustable Range
 Electrical Form (specify)
 Enclosure
 Miscellaneous

132T 4B CC6 _

Envelope Dimensions



Electrical Form



Basic Principles of Design

