



## STAINLESS STEEL MINIATURE REGULATOR & FILTER REGULATOR

### Features

- For medium pressure use, up to 3000 kPa inlet
- Ideal for corrosive, marine and chemical environments
- High flow rate
- Effectively removes water and particles
- Accurate and sensitive pressure setting
- Light weight & compact



### How to Order

Stainless steel 316 miniature regulator & filter regulator

MFR

Port Size

02

Thread

N

Drain Only for MFR

H

Options

PG1

MR	Miniature Regulator
MFR	Miniature Filter Regulator

02	1/4"
----	------

G	BSP
N	NPT

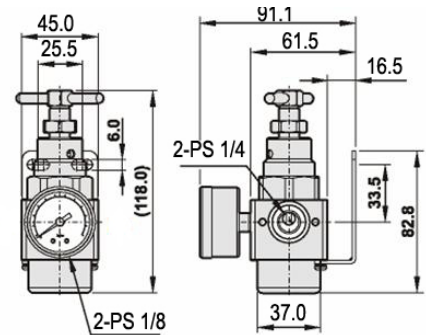
H	Manual drain
D	Auto drain

PG1	304 case & 316 wetted parts (standard)
PG2	316 case & wetted parts

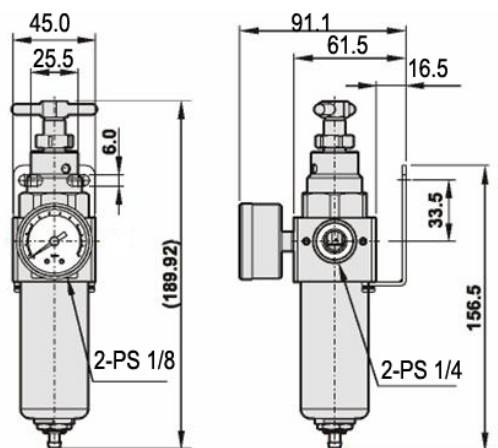
### Specifications

MODEL	MR	MFR
Port Size	1/4"	1/4"
Fluid	Compressed Air	Compressed Air
Regulator Construction	Piston	Piston
Body Material	Stainless Steel 316	Stainless Steel 316
Bowl Material	-	Stainless Steel 316
Pressure Gauge Material	Refer options	Refer Options
Filter Element Material	-	Stainless Steel 316
Filtration	-	5µm standard- 40µm option
Regulating Range	50 - 2000 kPa	50 - 2000 kPa
Maximum Inlet Pressure	3000 kPa	3000 kPa
Maximum Flow Rate	1850 l/min	1850 l/min
Ambient Temperature	-10°C ~ 60°C	-10°C ~ 60°C
Filter Bowl Capacity	-	105cc
Standard Drain	-	Manual
Net Weight	1200g	1380g
Accessories	Pressure Gauge, mounting bracket, plug and 2x screws	Pressure Gauge, mounting bracket, plug and 2x screws

MR



MFR



Dimensions in mm



Unit 1, 8 Baretta Road  
WANGARA WA 6065  
Tel: 08 9409 7566  
Fax: 08 94097153  
Email [sales@zedflo.com.au](mailto:sales@zedflo.com.au)  
Web [www.zedflo.com.au](http://www.zedflo.com.au)