

**General Purpose  
(NEMA 1 and 2)**

## DESCRIPTION

All purpose miniature tamper proof switch, extremely light weight and durable construction. Has efficient Nega-Rate® Belleville disc spring sensing mechanism. Small size improves vibration and shock resistance.

## Operating Pressure Data

Series	Fixed Set Point Range		Deadband (minimum)	Maximum Recommended System Pressure	Proof Pressure
	Increasing	Decreasing			
105P	5 to 600	2 to 540	3 or 10%	1500	3000
105P (5 wetted material)	15 to 130	10 to 110	5 or 15%	250	500
105P (5 wetted material)	30 to 600	24 to 510	6 or 15%	1500	3000
105PP	601 to 2000	511 to 1700	10%	3000	5000

All values given in psig.

## Standard Specifications

### Deadband (Differential)

The deadband can be selected anywhere from the maximum indicated to a maximum of 45% of the set point.

### Electrical Connection

PVC insulated 18 AWG leads  
18" long

### Pressure Connection

¼" - 18 NPT Male

### Temperature Range\*

Ambient: -40°F to +180°F  
(-40°C to +82°C)

Media: -40°F to +300°F  
(-40°C to +149°C)

\*Temperature limits change with O-Ring selection

### Shipping Weight

Approximately 3 ounces

## Ordering Sequence — Select desired option for each category

### OPTIONS

#### Wetted Material

- 1 Aluminum port, polyimide diaphragm and Buna-N O-Ring
- 4 316 stainless steel port, polyimide diaphragm and Buna-N O-Ring
- 5 316 stainless steel port and diaphragm heliarc welded

#### Electrical Form

- C Enclosure 2 and 5 7 amps 125, 250 VAC; 7 amps resistive, 4 amps inductive 28 VDC
- CC Enclosure 2 only 7 amps 125, 250 VAC; 7 amps resistive, 4 amps inductive 28 VDC

#### Enclosure

- 2 Meets or exceeds requirements of NEMA Type 1 and 2
- 5 Hermetically sealed electrical assembly [Suitable for all Division 2 hazardous locations] (Wetted Material 1 and 4 only)

#### Miscellaneous

- B Viton O-Ring
- C EPR O-Ring
- M Gold electrical contacts for extremely low current applications
- R 72" Electrical free leads

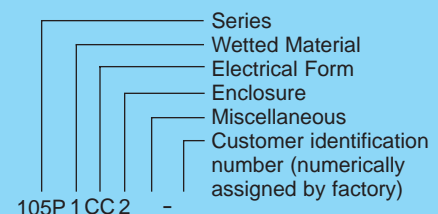
#### Special (Consult representative or factory)

- Pressure port per MS33656E4
- Electrical connection per MS33678-10SL-3P
- Non-catalog set point, deadband and/or proof pressure
- Operating temperature capability from -65°F to +400°F

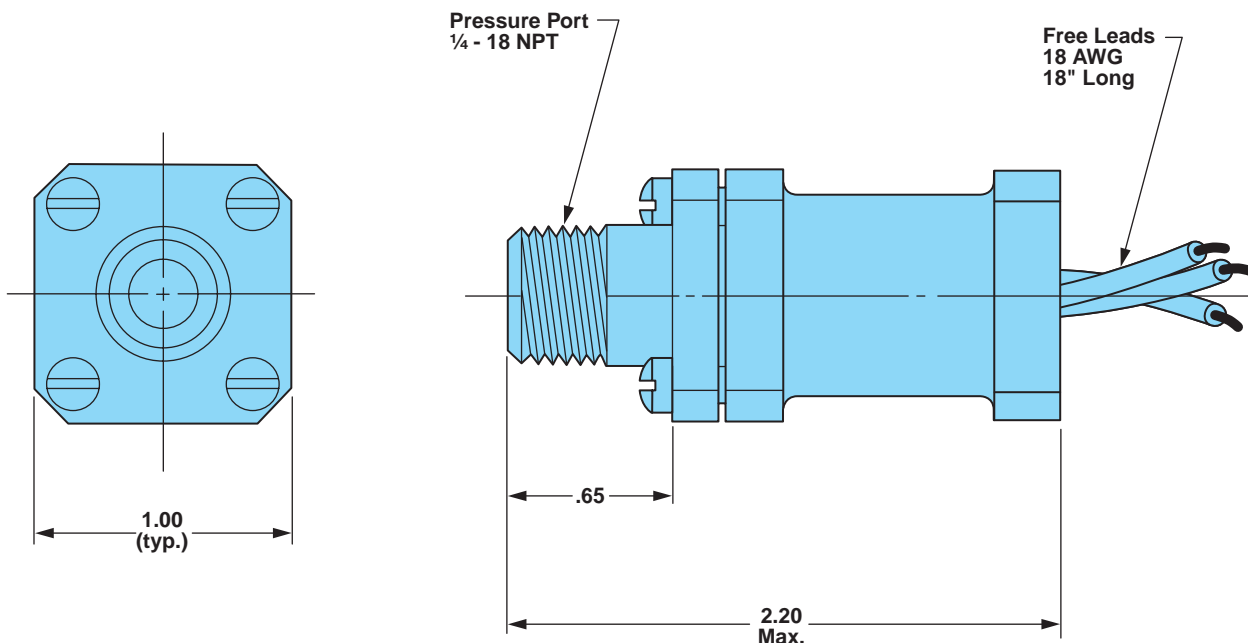
## Ordering Procedure

- Specify set point, increasing or decreasing
- Specify deadband if pertinent and if not, specify as 'open'
- Specify system pressure
- Specify proof pressure
- Specify media
- Insert available 'option' number or letter designation as required

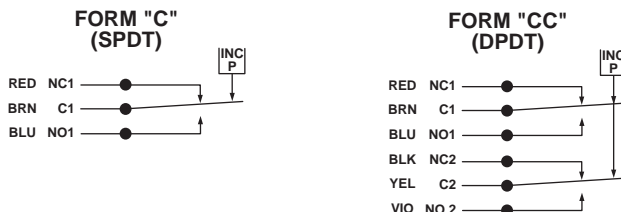
## Example



**Envelope Dimensions**



**Electrical Form**



**Basic Principles of Design**

