

**Weather Proof  
(NEMA 4 and 13)**

### DESCRIPTION

Sensitive Nega-Rate® Belleville spring adjustable pressure switch for low pressure applications.

### Operating Pressure Data

Adjustable Range Number	Adjustable Set Point Range		Deadband (approximate)	Maximum Recommended System Pressure	Proof Pressure
	Increasing	Decreasing			
2	10" H <sub>2</sub> O to 100" H <sub>2</sub> O	7" H <sub>2</sub> O to 97" H <sub>2</sub> O	3" H <sub>2</sub> O	300	500
4	3 to 15	2.75 to 14.75	.25	300	500

All values given in psig.

### Standard Specifications

#### Electrical

Snap action electrical switch listed by Underwriters' Laboratories, Inc. and CSA Testing Laboratories

#### Electrical Connection

½" - 14 NPT female conduit connection with terminal block

#### Pressure Connection

Wetted Material 1

¼" - 18 NPT Female

Wetted Material 4

½" - 14 NPT Female

#### Temperature Range\*

Ambient: -40°F to +180°F  
(-40°C to +82°C)

Media: -40°F to +300°F  
(-40°C to +149°C)

\*Temperature limits change with O-Ring selection

#### Adjustment

Concealed wrench flat adjustment with range scale

#### Shipping Weight

Approximately 3 pounds

### Ordering Sequence — Select desired option for each category

#### OPTIONS

##### Wetted Material

- 1 Aluminum port, Teflon coated polyimide diaphragm and Buna-N O-Ring
- 4 316 stainless steel port, Teflon coated polyimide diaphragm and Buna-N O-Ring

##### Adjustable Range

- 2 7" H<sub>2</sub>O dec. to 100" H<sub>2</sub>O inc. (17 millibar dec. to 249 millibar inc.)
- 4 2.75 psig dec. to 15 psig inc. (0.2 bar dec. to 1.0 bar inc.)

##### Electrical Form

- C 15 amps 125, 250 or 480 VAC; 2 amps 600 VAC; ¼ hp 125 VAC; ½ hp 250 VAC; .5 amps resistive, .04 amps inductive 125 VDC
- CC 11 amps and ¼ hp 125 or 250 VAC; 5 amps resistive, 3 amps inductive 28 VDC; .5 amps resistive 125 VDC
- Z 15 amps 125, 250 or 480 VAC; ¼ hp 125 VAC; ½ hp 250 VAC; 1 amp resistive, .5 amps inductive 125 VDC

##### Enclosure

- 3 Meets or exceeds the requirements of NEMA Type 3, 3R, 3S, 4, 4X and 13

##### Miscellaneous

- A Epoxy paint exterior — extra protection for severe environments
- B Viton O-Ring
- C EPR O-Ring
- F Fire fuse — for fire-tested equipment
- G ½" - 14 NPT male port (Wetted Material 4 only)
- L Neon indicator light — 115 VAC
- M Gold electrical contacts for extremely low current applications
- P 5-Pin Brad Harrison connector (Reduce AC electrical rating to 8 amps)— (Not for CC3 Electrical)
- S Stainless steel diaphragm
- W Stainless steel screws — exterior (Standard with Wetted Material 4)
- X CSA Certified (Not available with L or P option)

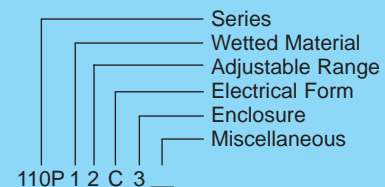
#### Special (Consult representative or factory)

- Non-catalog adjustable range and/or set point, deadband and proof pressure
- Chemical seals installed

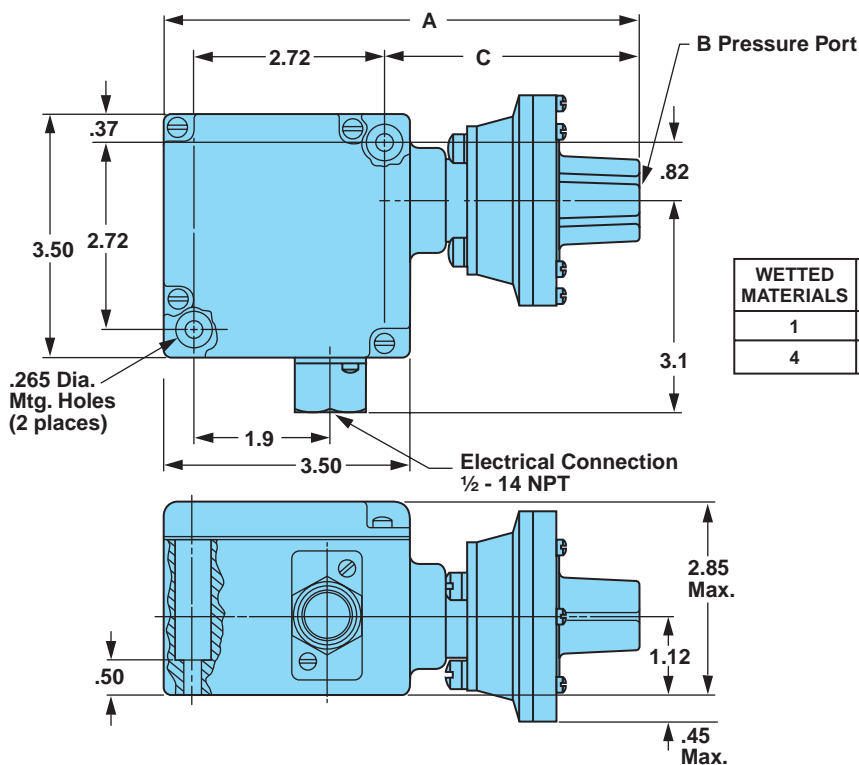
### Ordering Procedure

- When factory presetting is desired, stipulate set point, increasing or decreasing
- Insert available option number or letter designation as required

### Example

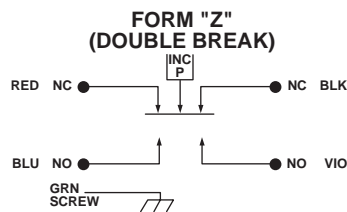
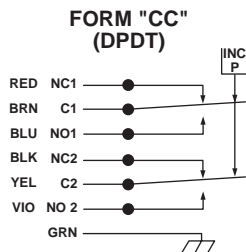
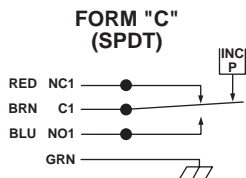


**Envelope Dimensions**



WETTED MATERIALS	A	B	C
1	6.75 Max.	¼ - 18 NPT	3.7 Max.
4	7.15 Max.	½ - 14 NPT	4.1 Max.

**Electrical Form**



**Basic Principles of Design**

