

**Explosion Proof
(NEMA 7 and 9)**

DESCRIPTION

Dual adjustable set point pressure switch for high pressure pneumatic and low impulse hydraulic applications. Nega-Rate® Belleville disc spring for set point stability and vibration resistance. Stainless steel wetted materials, hermetically sealed explosion-proof electricals and the integral junction box with terminal block makes this the ideal switch for your hazardous location applications.

Operating Pressure Data

Adjustable Range Number	Adjustable Set Point Range		Deadband (approximate)	Maximum Recommended System Pressure	Proof Pressure
	Increasing	Decreasing			
8	3 to 30	1 to 28	2	1350	2000
9	20 to 80	15 to 75	5	1350	2000
1	50 to 250	30 to 230	20	5000	7500
2	200 to 400	175 to 375	25	5000	7500
4	375 to 725	330 to 680	45	5000	7500
6	700 to 1500	620 to 1420	80	5700	7500
7	1500 to 2300	1400 to 2200	100	5700	7500

All values given in psig.

Standard Specifications

Electrical

Snap action electrical switch listed by Underwriters Laboratories, Inc., Factory Mutual and CSA

Electrical Connection

¾" - 14 NPT female conduit connection with terminal block

Pressure Connection

¼" - 18 NPT Female

Temperature Range

Ambient: -40°F to +180°F
(-40°C to +82°C)

Media: -40°F to +250°F
(-40°C to +121°C)

Adjustment

Internal, slotted adjustment nut with range scale

Shipping Weight

Approximately 8 pounds

Ordering Sequence — Select desired option for each category

OPTIONS

Wetted Material

5 316 stainless steel port and diaphragm heliarc welded

Adjustable Range

8 1 psig dec. to 30 psig inc. (.07 bar dec. to 2.1 bar inc.)
9 15 psig dec. to 80 psig inc. (1.0 bar dec. to 5.5 bar inc.)
1 30 psig dec. to 250 psig inc. (2.1 bar dec. to 17.2 bar inc.)
2 175 psig dec. to 400 psig inc. (12.1 bar dec. to 27.6 bar inc.)
4 330 psig dec. to 725 psig inc. (22.8 bar dec. to 50.0 bar inc.)
6 620 psig dec. to 1500 psig inc. (42.7 bar dec. to 103.4 bar inc.)
7 1400 psig dec. to 2300 psig inc. (96.5 bar dec. to 158.6 bar inc.)

Electrical Form

C 11 amps and ¼ hp 125 or 250 VAC; 5 amps resistive, 3 amps inductive 28 VDC; .5 amps resistive 125 VDC

Enclosure

6 Explosion proof • factory sealed • hermetically sealed electrical assembly P/N 057-0030 (C Form); P/N 057-0057 (CC Form). **Underwriters Laboratories, Inc.** listed (file #E56677) or **Canadian Standards Association** certified (file #34146) for Division 1 and 2; Class I, Groups C and D; Class II, Groups E, F and G hazardous locations (NEMA 7 and 9)

Miscellaneous

A Epoxy paint exterior — extra protection for severe environments
E 7/16" - 20 SAE port
G ½" - 14 NPT female port
H 316 Stainless steel body (switches only)
J Annealed stainless steel port screws for H₂S environments — Consult factory for reduced system and proof pressure ratings
M Gold electrical contacts for extremely low current applications
O Oxygen clean

Ordering Procedure

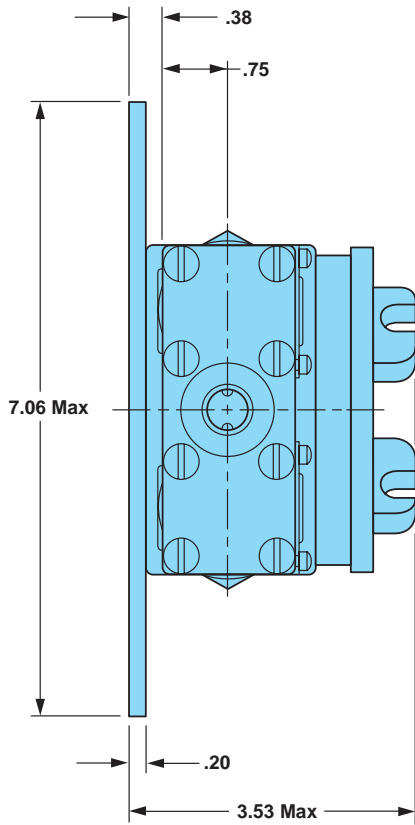
- When factory presetting is desired, stipulate set point, increasing or decreasing
- Insert available option number or letter designation as required

Example

Series
 Wetted Material
 Range for S1
 Range for S2
 Enclosure
 Miscellaneous

132D 5 1 6 C6__

Envelope Dimensions



Electrical Form

