



**Weather Proof  
(NEMA 4 and 13)**

### DESCRIPTION

Compact, adjustable pressure switch for high pressure pneumatic process applications. Nega-Rate® Belleville disc spring for set point stability and vibration resistance.

### Operating Pressure Data

Adjustable Range Number	Adjustable Set Point Range		Deadband (approximate)	Maximum Recommended System Pressure	Proof Pressure
	Increasing	Decreasing			
8	3 to 30	1 to 28	2	1350	2000
9	20 to 80	15 to 75	5	1350	2000
1	50 to 250	30 to 230	20	5000	7500
2	200 to 400	175 to 375	25	5000	7500
4	375 to 725	330 to 680	45	5000	7500
6	700 to 1500	620 to 1420	80	6500	7500
7	1500 to 2300	1400 to 2200	100	6500	7500

All values given in psig.

### Standard Specifications

#### Electrical

Snap action electrical switch listed by Underwriters' Laboratories, Inc. and CSA Testing Laboratories

#### Electrical Connection

½" - 14 NPT male conduit connection with PVC insulated 18 AWG leads 18" long

#### Pressure Connection

¼" - 18 NPT Female

#### Temperature Range\*

Ambient: -40°F to +180°F  
(-40°C to +82°C)

Media: -40°F to +250°F  
(-40°C to +121°C)

\* Temperature limits change with O-Ring selection

#### Adjustment

Internal, slotted adjustment nut with range scale

#### Shipping Weight

Approximately 20 ounces

### Ordering Sequence — Select desired option for each category

#### OPTIONS

##### Wetted Material

- 4 316 stainless steel port and diaphragm, Buna-N O-Ring
- 5 316 stainless steel port and diaphragm heliarc welded

##### Adjustable Range

- 8 1 psig dec. to 30 psig inc. (0.1 bar dec. to 2.1 bar inc.)
- 9 15 psig dec. to 80 psig inc. (1.0 bar dec. to 5.5 bar inc.)
- 1 30 psig dec. to 250 psig inc. (2.1 bar dec. to 17.2 bar inc.)
- 2 175 psig dec. to 400 psig inc. (12.1 bar dec. to 27.6 bar inc.)
- 4 330 psig dec. to 725 psig inc. (22.8 bar dec. to 50.0 bar inc.)
- 6 620 psig dec. to 1500 psig inc. (42.7 bar dec. to 103.4 bar inc.)
- 7 1400 psig dec. to 2300 psig inc. (96.5 bar dec. to 158.6 bar inc.)

##### Electrical Form

- C 11 amps and ¼ hp 125 or 250 VAC; 5 amps resistive, 3 amps inductive 28 VDC; .5 amps resistive 125 VDC
- CC 11 amps and ¼ hp 125 or 250 VAC; 5 amps resistive, 3 amps inductive 28 VDC; .5 amps resistive 125 VDC

##### Enclosure

- 3 Meets or exceeds the requirements of NEMA Type 3, 3R, 3S, 4, 4X and 13

##### Miscellaneous

- A Epoxy paint exterior — extra protection for severe environments
- B Viton O-Ring
- C EPR O-Ring
- E 7/16" - 20 SAE Port
- G ½" - 14 NPT Female Port
- H Stainless steel body
- J Annealed stainless steel port screws for H<sub>2</sub>S environments — Consult factory for reduced system and proof pressure ratings
- M Gold electrical contacts for extremely low current applications
- R 72" Electrical free leads

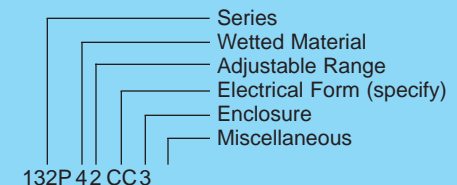
#### Special (Consult representative or factory)

- Non-catalog adjustable range and/or set point, deadband and proof pressure

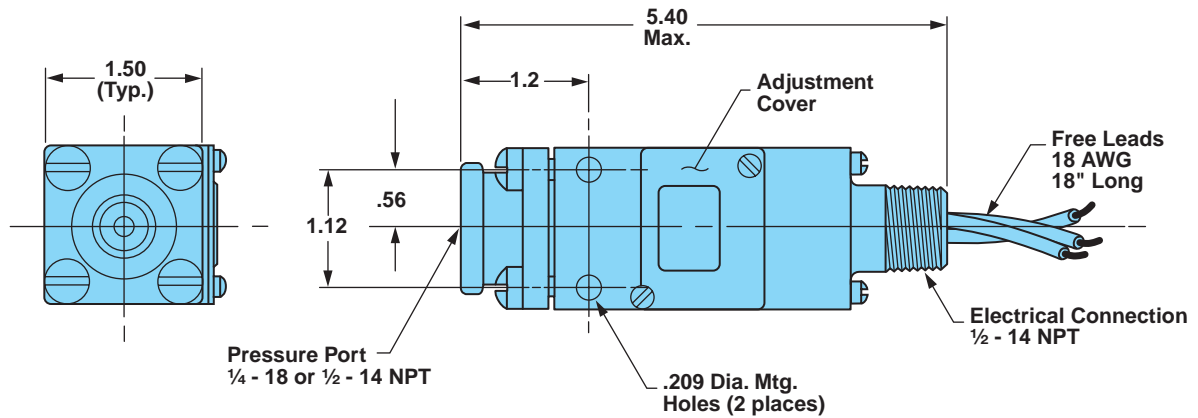
### Ordering Procedure

- When factory presetting is desired, stipulate set point, increasing or decreasing
- Insert available option number or letter designation as required

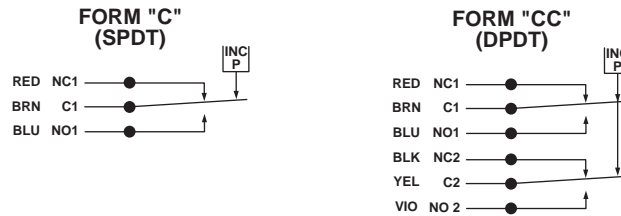
### Example



**Envelope Dimensions**



**Electrical Form**



**Basic Principles of Design**

