

# Neo-Dyn® Series 132TC Temperature Switch/Internal Adjustment



**Explosion Proof  
Hermetically Sealed  
(NEMA 7 and 9)**

## DESCRIPTION

Compact, adjustable temperature switch featuring the Nega-Rate® Belleville disc spring for set point stability and vibration resistance. Available with all stainless steel exterior and interior construction together with a hermetically sealed, explosion-proof electrical assembly. Ideally suited for applications involving hazardous and corrosive medias or environments. Comes with capillary for remote mount up to 25 feet.

## Operating Temperature Data

Adjustable Range	Adjustable Set Point Range		Deadband† (approximate) Bottom/Top of Range °F	Proof Temperature °F
	Increasing °F	Decreasing °F		
B	-50 to +30	-69 to +26	19/4	250
D	+30 to +125	+7 to +121	23/4	300
F	+95 to +200	+70 to +196	25/4	400
H	+115 to +230	+89 to +224	26/6	400
J	+175 to +300	+146 to +294	29/6	500
L	+260 to +360	+236 to +356	24/4	500
N	+290 to +395	+263 to +391	27/4	500
P	+365 to +480	+338 to +476	27/4	600
R	+485 to +655	+445 to +646	40/9	750

†Deadband decreases as the adjustable set point is increased.

## Standard Specifications

### Electrical

Snap action electrical switch listed by Underwriters' Laboratories, Inc., Factory Mutual and CSA Testing Laboratories

### Electrical Connection

½" - 14 NPT male conduit connection with PVC insulated 18 AWG leads 18" long

### Process Connection

½" - 14 NPT Male  
Remote mount  
Stainless steel 6' capillary with armor jacket, 10" minimum bendable tubing and ½" adjustable gland nut. Optional capillary lengths available.

### System Pressure

1500 psig maximum

### Proof Pressure

2250 psig

### Adjustment

Internal, slotted adjustment nut with range scale

### Temperature Range

Ambient: -40°F to +180°F  
(-40°C to +82°C)

### Shipping Weight

Approximately 3.5 pounds

## Ordering Sequence — Select desired option for each category

### OPTIONS

#### Wetted Material

**5** 300 series stainless steel, graphite filled non-asbestos packing

#### Adjustable Range

**B** -69°F dec. to +30°F inc.  
**D** +7°F dec. to +125°F inc.  
**F** +70°F dec. to +200°F inc.  
**H** +89°F dec. to +230°F inc.  
**J** +146°F dec. to +300°F inc.  
**L** +236°F dec. to +360°F inc.  
**N** +263°F dec. to +395°F inc.  
**P** +338°F dec. to +480°F inc.  
**R** +445°F dec. to +655°F inc.

#### Electrical Form

**C** 11 amps and ¼ hp 125 or 250 VAC; 5 amps resistive, 3 amps inductive 28 VDC; .5 amps resistive 125 VDC  
**CC** 11 amps and ¼ hp 125 or 250 VAC; 5 amps resistive, 3 amps inductive 28 VDC; .5 amps resistive 125 VDC

#### Enclosure

**6** Explosion proof • factory sealed • hermetically sealed electrical assembly P/N 057-0030 (C Form); P/N 057-0057 (CC Form). **Underwriters' Laboratories, Inc.** listed (file #E56677) or **Canadian Standards Association** certified (file #34146) for Division 1 and 2; Class I, Groups A, B, C and D; Class II, Groups E, F and G hazardous locations (NEMA 7 and 9)

#### Miscellaneous

**A** Epoxy paint exterior — extra protection for severe environments  
**H** Stainless steel body  
**I** ¾" Conduit box with terminal strip  
**J** Annealed stainless steel port screws for H<sub>2</sub>S environments  
**M** Gold electrical contacts for extremely low current applications  
**N** CENELEC approval  
**R** 72" Electrical free leads

#### Optional Capillary Lengths

10', 15', 20' and 25' lengths available  
(insert appropriate number at end of model number — see Example)

#### Special (Consult representative or factory)

- Thermowells
- Non-catalog adjustable range and/or set point and deadband

## Ordering Procedure

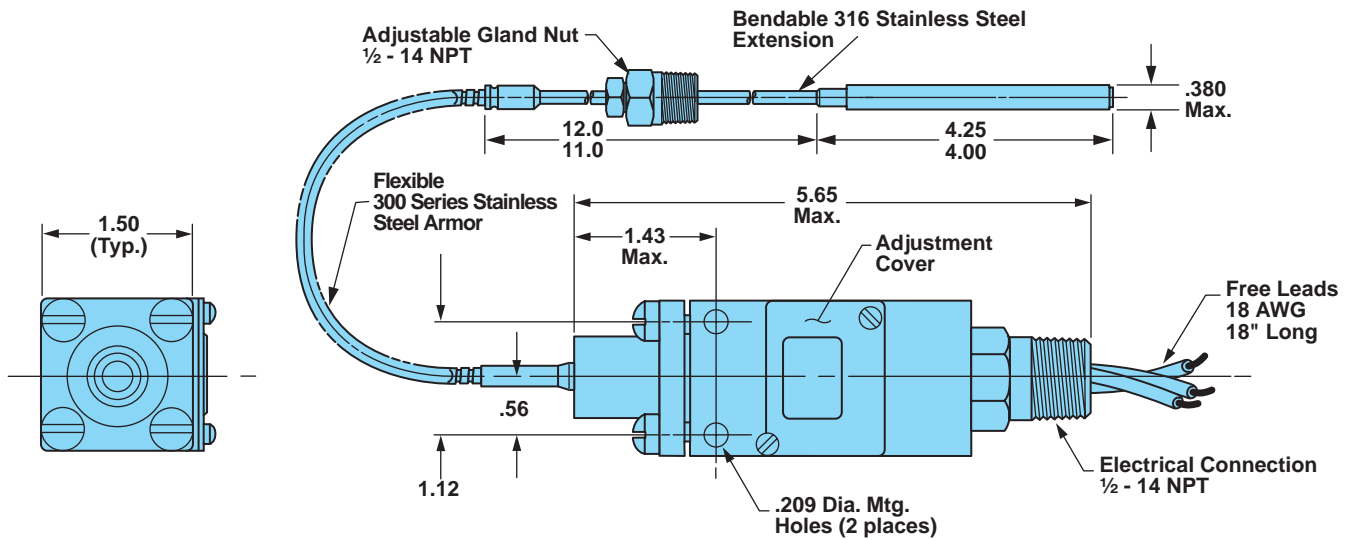
- When factory presetting is desired, stipulate set point, increasing or decreasing
- Insert available option number or letter designation as required

## Example

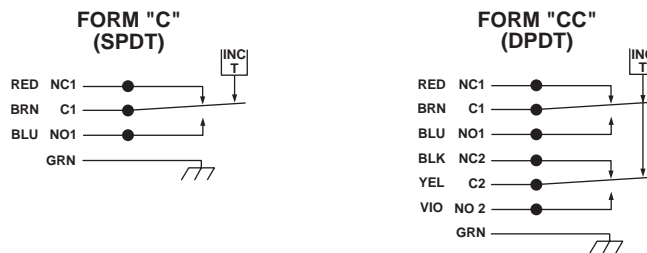
Series  
Wetted Material  
Adjustable Range  
Electrical Form (specify)  
Enclosure  
Miscellaneous  
Optional Capillary Length

132TC5B CC 6

**Envelope Dimensions**



**Electrical Form**



**Basic Principles of Design**

