

**Weather Proof
(NEMA 4 and 13)**

DESCRIPTION

Ultra low differential pressure switch. Unique construction using Nega-Rate® Belleville disc spring for stable set points and high proof pressure. Wide range of wetted materials makes this series well suited for applications that formerly required the use of diaphragm seals.

Operating Pressure Data

Adjustable Range Number	Adjustable Set Point Range	Deadband* (approximate)	Maximum Recommended System Pressure	Proof Pressure
	Increasing			
2	2" to 100" H ₂ O Differential	1.5" H ₂ O	15 psig Simul. or Hi over Low 100" H ₂ O Low over Hi	100 PSI Simul. or Hi over Low 15 PSI Low over Hi

*Deadband 50% wider with "CC" (DPDT) and "Z" (Double Break) Electrical Forms.

Standard Specifications

Electrical

Snap action electrical switch listed by Underwriters' Laboratories, Inc. and CSA Testing Laboratories

Electrical Connection

½" - 14 NPT female conduit connection with terminal block

Pressure Connection

½" - 14 NPT Female — High
¼" - 18 NPT Female — Low

Temperature Range*

Ambient: -40°F to +180°F
(-40°C to +82°C)

Media: -50°F to +250°F
(-46°C to +121°C)

*Temperature limits change with O-Ring selection

Adjustment

Concealed wrench flat adjustment with range scale

Shipping Weight

Approximately 4 pounds

Ordering Sequence — Select desired option for each category

OPTIONS

Adjustable Range

2 .5" H₂O dec. to 100" H₂O inc.

Electrical Form

C 15 amps 125, 250, or 480 VAC; 2 amps 600 VAC; ⅙ hp 125 VAC; ¼ hp 250 VAC;
.5 amps resistive, .04 amps inductive 125 VDC

CC 11 amps and ¼ hp 125 or 250 VAC; 5 amps resistive, 3 amps inductive 28 VDC;
.5 amps resistive 125 VDC

Z 15 amps 125, 250, or 480 VAC; ¼ hp 125 VAC; ½ hp 250 VAC;
1 amp resistive, .5 amps inductive 125 VDC

Enclosure

3 Meets or exceeds the requirements of NEMA Type 3 3R, 3S, 4, 4X and 13

Miscellaneous

A Epoxy paint exterior — extra protection for severe environments

L Neon light indicator —115 VAC

M Gold electrical contacts for extremely low current applications

Port Material

1 316 Stainless Steel High/Aluminum Low

4 316 Stainless Steel High/Low

Diaphragm

1 Polyimide

4 316 Stainless Steel

6 Tantalum

7 Hastelloy C

O-Rings

2 Kalrez

3 Viton

5 EPR

8 Buna-N

Special (Consult representative or factory)

■ Non-catalog adjustable range and/or set point and deadband

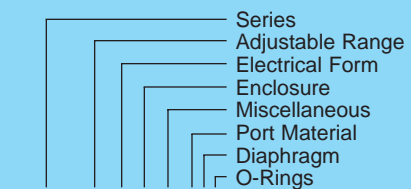
■ Operating temperature capabilities from -65°F to 400°F

Ordering Procedure

■ When factory presetting is desired, stipulate set point, increasing or decreasing

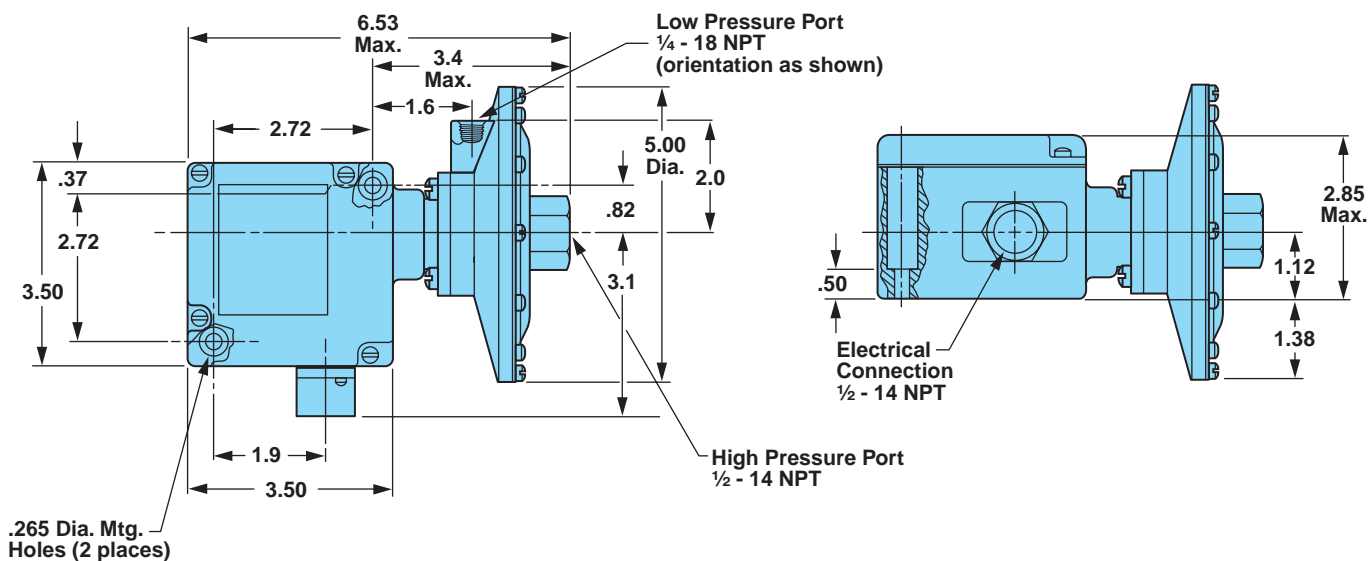
■ Insert available option number or letter designation as required

Example

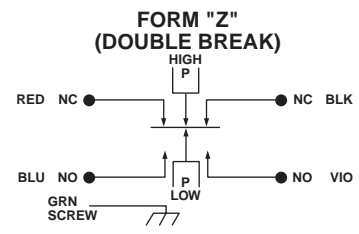
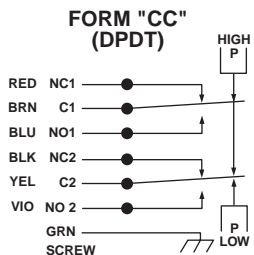
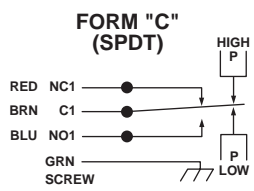


152P 82 CC 3 _ 463

Envelope Dimensions



Electrical Form



Basic Principles of Design

