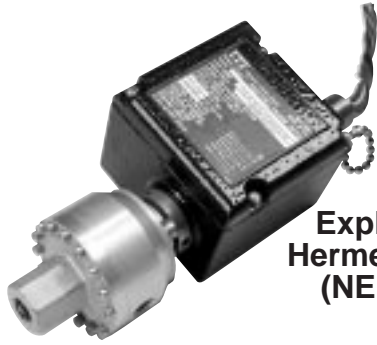


Neo-Dyn® Series 180P Vacuum Pressure Switch



**Explosion Proof
Hermetically Sealed
(NEMA 7 and 9)**

DESCRIPTION

Low-range, adjustable vacuum switch. Efficient Nega-Rate® Belleville disc spring sensing mechanism for stable set points during system pressure changes. Hermetically sealed, explosion-proof electrical assembly well suited for hazardous or explosive environments

Operating Pressure Data

Adjustable Range Number	Adjustable Set Point Range		Deadband (approximate)	Maximum Recommended System Pressure	Proof Pressure
	Increasing	Decreasing			
4	3" to 28" Hg	1" to 26" Hg	2" Hg	225	350

All values given in psig.

Standard Specifications

Electrical

Snap action electrical switch listed by Underwriters' Laboratories, Inc., Factory Mutual and CSA Testing Laboratories

Electrical Connection

½" - 14 NPT male conduit connection with PVC insulated 18 AWG leads 18" long

Pressure Connection

¼" - 18 NPT Female

Temperature Range*

Ambient: -40°F to +180°F
(-40°C to +82°C)

Media: -40°F to +250°F
(-40°C to +121°C)

*Temperature limits change with O-Ring selection

Adjustment

Concealed wrench flat adjustment with range scale

Shipping Weight

Approximately 3.5 pounds

Ordering Sequence — Select desired option for each category

OPTIONS

Wetted Material

- 1 Aluminum port and body, Teflon coated polyimide diaphragm, Buna-N O-Rings and stainless steel
- 4 Stainless steel, Teflon coated polyimide diaphragm and Buna-N O-Rings

Adjustable Range

- 4 1" Hg dec. to 28" Hg inc. (0.0 bar dec. to 0.9 bar inc.)

Electrical Form

- C 11 amps and ¼ hp 125 or 250 VAC; 5 amps resistive, 3 amps inductive 28 VDC; .5 amps resistive 125 VDC
- CC 11 amps and ¼ hp 125 or 250 VAC; 5 amps resistive, 3 amps inductive 28 VDC; .5 amps resistive 125 VDC

Enclosure

- 6 Explosion proof • factory sealed • hermetically sealed electrical assembly P/N 057-0030 (C Form); P/N 057-0057 (CC Form). **Underwriters' Laboratories, Inc.** listed (file #E56677) or **Canadian Standards Association** certified (file #34146) for Division 1 and 2; Class I, Groups A, B, C and D; Class II, Groups E, F and G hazardous locations (NEMA 7 and 9)

Miscellaneous

- A Epoxy paint exterior — extra protection for severe environments
- B Viton O-Ring
- C EPR O-Ring
- I ¾" Conduit box with terminal strip
- M Gold electrical contacts for extremely low current applications
- N CENELEC approval
- R 72" Electrical free leads
- S Stainless steel diaphragm (Range 4 and Wetted Material 4 only)

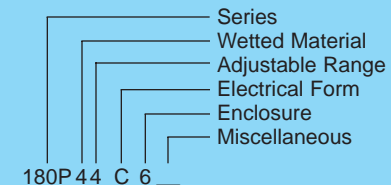
Special (Consult representative or factory)

- Non-catalog adjustable range and/or set point, deadband and proof pressure
- Operating temperature capability from -65°F to +350°F
- Chemical seals installed
- Optional orientation of Low Pressure Port

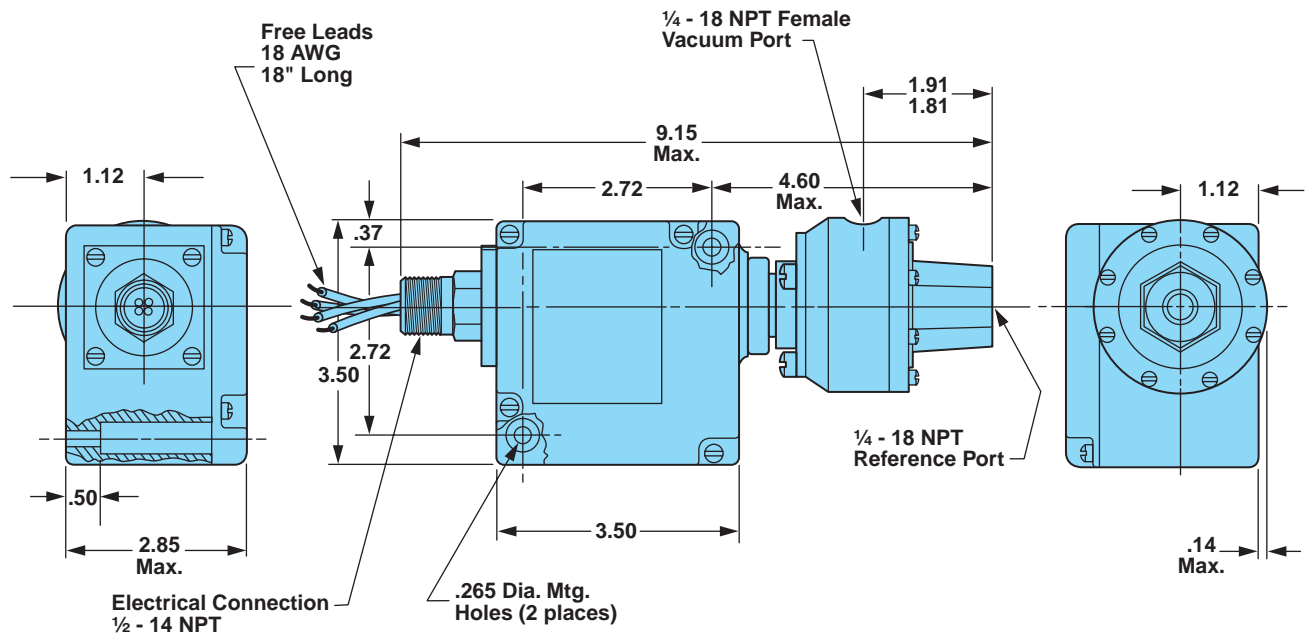
Ordering Procedure

- When factory presetting is desired, stipulate set point, increasing or decreasing
- Insert available option number or letter designation as required

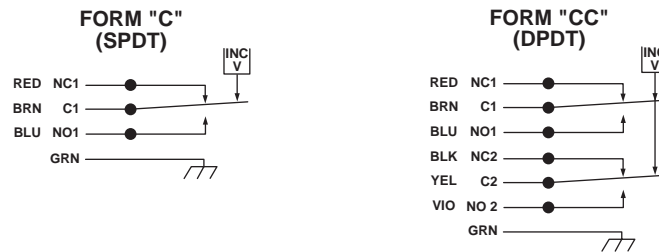
Example



Envelope Dimensions



Electrical Form



Basic Principles of Design

