

**Explosion Proof
Hermetically Sealed
(NEMA 7 and 9)**

DESCRIPTION

Versatile Nega-Rate® Belleville disc spring pressure switch for use in hazardous areas. Series 200P (piston sensor) for hydraulic applications up to 10000 psig system pressure.

Operating Pressure Data

Adjustable Range Number	Adjustable Set Point Range		Deadband† (approximate)		Maximum Recommended System Pressure	Proof Pressure
	Increasing	Decreasing	Min.	Max.		
2	20 to 220	14 to 202	6	18	3000	4500
3	200 to 1500	150 to 1275	50	225	7500	10000
6	500 to 3000	375 to 2700	125	300	7500	10000
8	1000 to 10000	800 to 9000	200	1000	10000*	15000*

All values given in psig.

†The deadband increases as the adjustable set point is increased.

*Diminished safety factor equal to approximately 2:1.

**Diminished safety factor equal to approximately 1.3:1.

Standard Specifications

Electrical

Snap action electrical switch listed by Underwriters' Laboratories, Inc., Factory Mutual and CSA Testing Laboratories

Electrical Connection

½" - 14 NPT male conduit connection with PVC insulated 18 AWG leads 18" long

Pressure Connection

Wetted Material 1
¼" - 18 NPT Female

Temperature Range*

Ambient: -40°F to +180°F
(-40°C to +82°C)

Media: -40°F to +300°F
(-40°C to +149°C)

*Temperature limits change with O-Ring selection

Adjustment

Concealed wrench flat adjustment with range scale

Shipping Weight

Approximately 3 pounds

Ordering Sequence — Select desired option for each category

OPTIONS

Wetted Material

1 Aluminum port and piston, Teflon seal and Buna-N O-Ring

Adjustable Range

2 14 psig dec. to 220 psig inc. (1.0 bar dec. to 15.2 bar inc.)

3 150 psig dec. to 1500 psig inc. (10.3 bar dec. to 103.4 bar inc.)

6 375 psig dec. to 3000 psig inc. (25.9 bar dec. to 206.9 bar inc.)

8 800 psig dec. to 10000 psig inc. (55.2 bar dec. to 689.5 bar inc.)

Electrical Form

C 11 amps and ¼ hp 125 or 250 VAC; 5 amps resistive, 3 amps inductive 28 VDC; .5 amps resistive 125 VDC

CC 11 amps and ¼ hp 125 or 250 VAC; 5 amps resistive, 3 amps inductive 28 VDC; .5 amps resistive 125 VDC

Enclosure

6 Explosion proof • factory sealed • hermetically sealed electrical assembly P/N 057-0030 (C Form); P/N 057-0057 (CC Form). **Underwriters' Laboratories, Inc.** listed (file #E56677) or **Canadian Standards Association** certified (file #34146) for Division 1 and 2; Class I, Groups A, B, C and D; Class II, Groups E, F and G hazardous locations (NEMA 7 and 9)

Miscellaneous

A Epoxy paint exterior — extra protection for severe environments

B Viton O-Ring

C EPR O-Ring

E 7/16" - 20 SAE port

F Fire fuse — for fire-tested equipment

I ¾" Conduit box with terminal strip

J Annealed stainless steel port screws for H₂S environments (Wetted Materials 4 and 5 only) — Consult factory for reduced system and proof pressure

M Gold electrical contacts for extremely low current applications

N CENELEC approval

R 72" Electrical free leads

S Stainless steel diaphragm (Available in 100P4 only)

W Stainless steel screws — exterior (Standard with Wetted Materials 4,5 and 9)

Y 2" NPT Port for viscous medias (Except Range 1)

Special (Consult representative or factory)

■ Non-catalog adjustable range and/or set point, deadband and proof pressure

■ Operating temperature capability from -65°F to +400°F

■ Chemical seals installed

Ordering Procedure

■ When factory presetting is desired, stipulate set point, increasing or decreasing

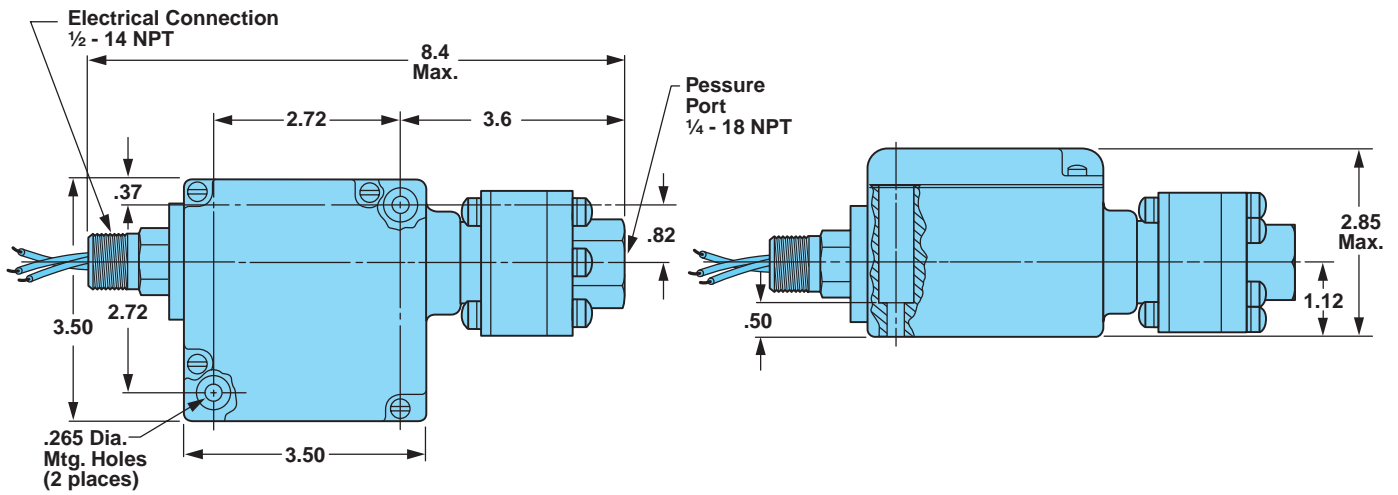
■ Insert available option number or letter designation as required

Example

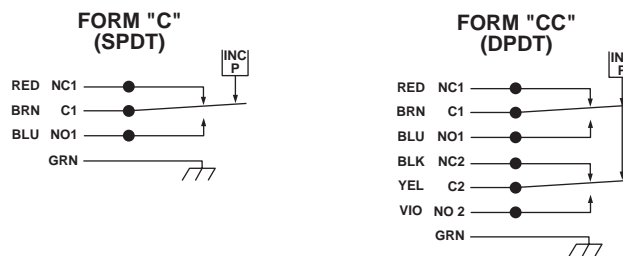
Series
Wetted Material
Adjustable Range
Electrical Form
Enclosure
Miscellaneous

200P 12 C 6 _

Envelope Dimensions



Electrical Form



Basic Principles of Design

