

**Explosion Proof
Hermetically Sealed
(NEMA 7 and 9)**

DESCRIPTION

Compact, adjustable pressure switch for high pressure hydraulic process applications. Nega-Rate® Belleville disc spring for set point stability and vibration resistance. Stainless steel wetted materials and hermetically sealed, explosion-proof electricals make this switch ideally suited for hazardous and corrosive media or environments.

Operating Pressure Data

Adjustable Range Number	Adjustable Set Point Range		Deadband (approximate)	Maximum Recommended System Pressure	Proof Pressure
	Increasing	Decreasing			
1	50 to 275	25 to 250	25	5000	7500
2	200 to 1000	75 to 875	125	6500	7500
3	1000 to 3100	700 to 2800	300	6500	7500
4	2800 to 6000	2300 to 5500	500	10000	13500
5	5500 to 8500	4900 to 7900	600	10000	13500
6	7000 to 10000	6000 to 9000	1000	12500	15000

All values given in psig.

Standard Specifications

Electrical

Snap action electrical switch listed by Underwriters' Laboratories, Inc., Factory Mutual and CSA Testing Laboratories

Electrical Connection

½" - 14 NPT male conduit connection with PVC insulated 18 AWG leads 18" long

Pressure Connection

¼" - 18 NPT Female

Temperature Range*

Ambient: -40°F to +180°F
(-40°C to +82°C)

Media: -40°F to +250°F
(-40°C to +121°C)

* Temperature limits change with O-Ring selection

Adjustment

Internal, slotted adjustment nut with range scale

Shipping Weight

Approximately 20 ounces

Ordering Sequence — Select desired option for each category

OPTIONS

Wetted Material

- 4 316 stainless steel port and diaphragm, Buna-N O-Ring
- 5 316 stainless steel port and diaphragm heliarc welded

Adjustable Range

- 1 25 psig dec. to 275 psig inc. (1.7 bar dec. to 19.0 bar inc.)
- 2 75 psig dec. to 1000 psig inc. (5.2 bar dec. to 69.0 bar inc.)
- 3 700 psig dec. to 3100 psig inc. (48.3 bar dec. to 213.7 bar inc.)
- 4 2300 psig dec. to 6000 psig inc. (158.6 bar dec. to 413.7 bar inc.)
- 5 4900 psig dec. to 8500 psig inc. (337.9 bar dec. to 586.1 bar inc.)
- 6 6000 psig dec. to 10000 psig inc. (413.7 bar dec. to 689.5 bar inc.)

Electrical Form

- C 11 amps and ¼ hp 125 or 250 VAC; 5 amps resistive, 3 amps inductive 28 VDC; .5 amps resistive 125 VDC
- CC 11 amps and ¼ hp 125 or 250 VAC; 5 amps resistive, 3 amps inductive 28 VDC; .5 amps resistive 125 VDC

Enclosure

- 6 Explosion proof • factory sealed • hermetically sealed electrical assembly P/N 057-0030 (C Form); P/N 057-0057 (CC Form). **Underwriters' Laboratories, Inc.** listed (file #E56677) or **Canadian Standards Association** certified (file #34146) for Division 1 and 2; Class I, Groups A, B, C and D; Class II, Groups E, F and G hazardous locations (NEMA 7 and 9)

Miscellaneous

- A Epoxy paint exterior — extra protection for severe environments
- B Viton O-Ring
- C EPR O-Ring
- E ⅜" - 20 SAE Port
- G ½" - 14 NPT Female Port
- H Stainless steel body
- I ¾" Conduit box with terminal strip
- J Annealed stainless steel port screws for H₂S environments — Consult factory for reduced system and proof pressure ratings
- M Gold electrical contacts for extremely low current applications
- N CENELEC approval
- R 72" Electrical free leads

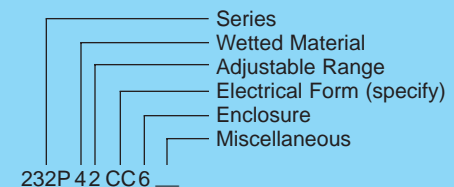
Special (Consult representative or factory)

- Non-catalog adjustable range and/or set point, deadband and proof pressure

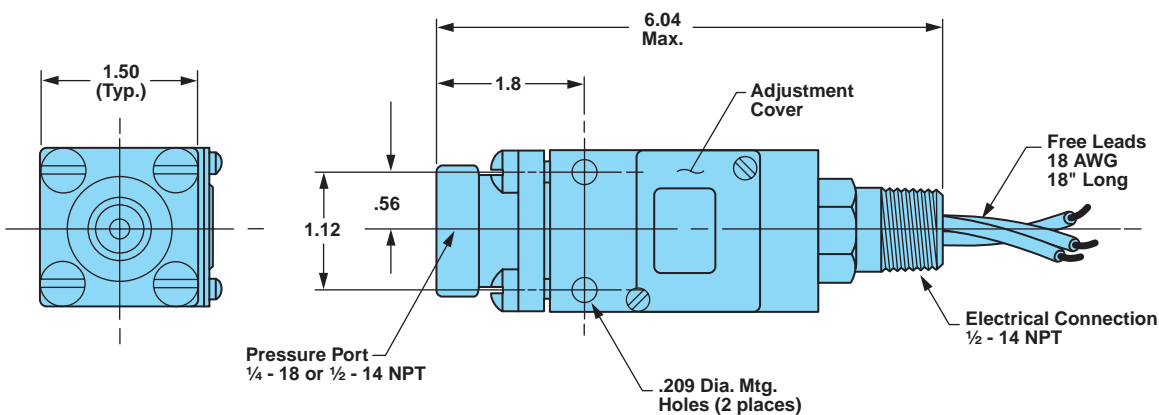
Ordering Procedure

- When factory presetting is desired, stipulate set point, increasing or decreasing
- Insert available option number or letter designation as required

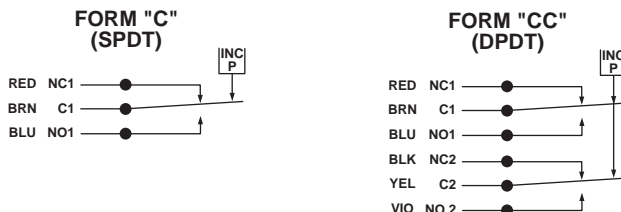
Example



Envelope Dimensions



Electrical Form



Basic Principles of Design

