

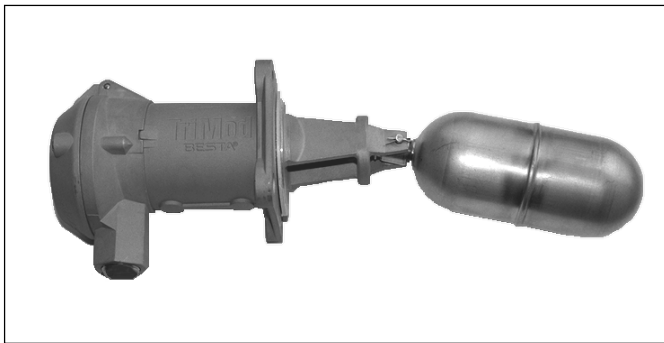
Comparison list KDG MOBREY (BESTOBELL-MOBREY) / TriMod BESTA

KDG MOBREY			TriMod BESTA		
old part no.	new part no.		part no.		notes
S01/F83	S01D/F83		A 01 041		1
S01/F04/3	S01D/F04/3		A 01 093		1
S01/F05/5	S01D/F05/5/I		A 01 140		1+4
S01/F103	S01D/F103/I		A 01 04G1		1
S01/F103	S01D/F103		A 01 04G2		1
S01/F103	S01D/F103		A 01 04G3		1
S03/F83	S03DB/F83		U3A 01 041		1+2
S04/F83	S01APA/F83		P 01 041		1
S142/F104	S36AMA/F104		M 01 04G1		
S141/F05/5	S141APA/F05/I		PV 01 140		1
S36/F84	S36DA/F84		A 01 041/DA 01 041		
S36/F68/3	S36DA/F68/3		A 01 093/DA 01 093		
S36/F21/5	S36DA/F21/I		A 01 140		
S36/F104	S36DA/F104/I		A 01 04G1		
S36/F104	S36DA/F104		A 01 04G2		
S36/F104	S36DA/F104		A 01 04G3		
S200/F84	S250DA/F84		XA3 03 041		3+5
S200/F68/3	S250DA/F68/3		XA3 03 093		3+5
S200/F21/5	S250DA/F21/I		XA3 03 145		3+5
S340/F84	S440DA/F84		A 131R 041		
S329/F84	S429DA/F84		A 31C 041		
S124/F84	S424DA/F84		A 132R 041		
S206/F84	S256DA/F84		XA3 131R 041		5
S251/F84	S251DA/F84		XA3 132R 041		5
S203/F84	S253DA/F84		XA3 32C 041		5

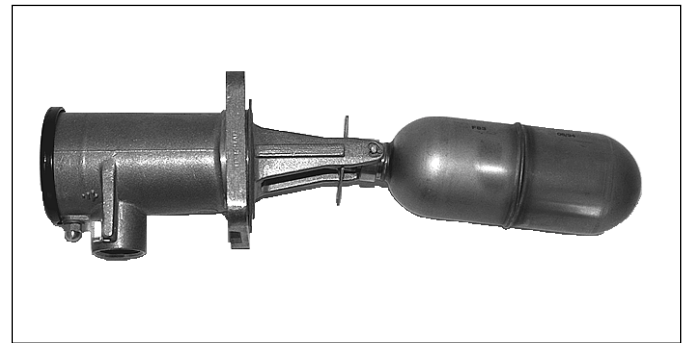
**Notes:**

1. Equivalent TriMod BESTA switches have 316 ss wetted parts, no aluminium bronze.
2. TriMod BESTA switch modules are always IP68, not only IP67.
3. TriMod BESTA explosion proof switches are available with standard 92 mm square flange (type 01).
4. Mobrey type FO5/I, float and rod are of copper.
5. Instead of XA., the switch module ZK. can be used.

**TriMod BESTA level switch**  
**Type A 01 041**



**KDG (Bestobell) Mobrey level switch**  
**Type S01D / F83**



Nominal pressure	25 bar
Operating temperature	330°C
Ambient temperature	70°C
Min. density (S.G.)	0,70
Operating differential	fixed 12 mm
Wetside material	stainless steel (316 equiv.)
Switch housing material	sea water resistant die-cast aluminium
Flange dimension	92 x 92 mm, PCD 92 mm
Switch element	change-over (1 x SPDT) microswitch, silver contacts
Switch rating	5A/250VAC    5A/30 VDC
Enclosure	IP65 (NEMA4)
Cable entry	PG16 (incl. cable gland) (adaptors available, e.g. M20x1.5)

Nominal pressure	18 bar
Operating temperature	210°C
Ambient temperature	60°C
Min. density (S.G.)	0,65
Operating differential	fixed 13 mm
Wetside material	Alu-bronze, float SS
Switch housing material	Alu-bronze Grade AB1/ Grade LM2 (end cap)
Flange dimension	92 x 92 mm, PCD 92 mm
Switch element	2 x SPST independent silver contact sets
Switch rating	5A (8A)/440VAC    2A/240VDC
Enclosure	IP54 (NEMA3)
Cable entry	25 mm conduit thread

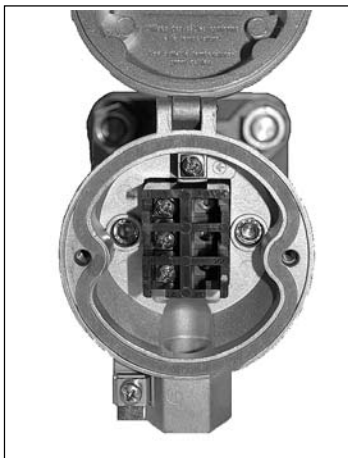
**TriMod BESTA level switch**  
**Type A 01 041**

**Features:**

- 3-modular design
- housing can be removed without interruption of process



- hinged cover
- connection diagram cast inside cover
- cable entry sealed against dust and humidity for long time storage
- cable gland PG16 is scope of supply
- cover screws can be opened with any type screwdriver

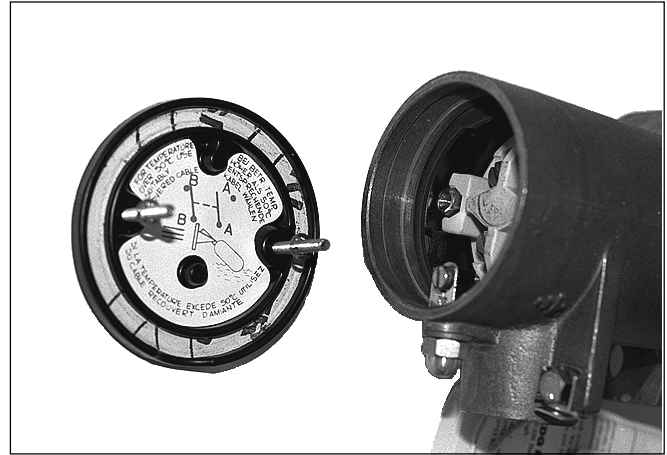


- spacious terminal housing
- user friendly for connection of wiring (time = costs)
- self-lifting and captive terminal screws

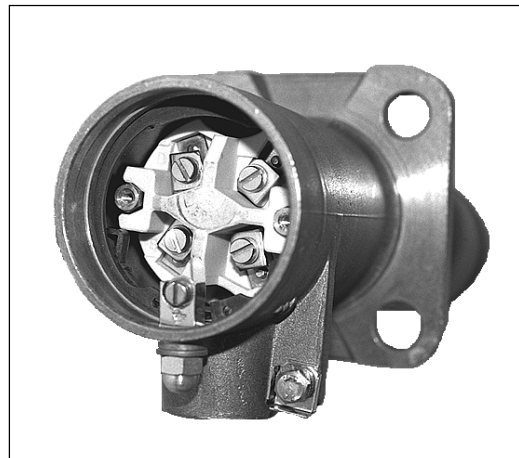
**KDG (Bestobell) Mobrey level switch**  
**Type S01D / F83**

**Features:**

- one cast for housing and flange part
- switch must be removed complete, i.e. process must be interrupted



- loose cover
- connection diagram on paper sticker inside cover only
- cable entry not sealed against dust and humidity for long time storage
- no cable gland supplied as standard
- crosstip screwdrivers can't be used to open the cover



- cramped terminal housing
- awkward to connect wiring (time = costs)
- no self-lifting, non captive terminal screws

LTPA33E/10.97