



STAINLESS STEEL F.R.L COMBINATION Filter regulator & Lubricator

Features

- For high pressure use, up to 4500 kPa inlet
- Ideal for corrosive, marine and chemical environments
- High flow rate
- Effectively removes water and particles
- Accurate and sensitive pressure setting
- Lubricator oil can be replenished in operation
- Oil spray in mist ensures good lubrication for machines



How to Order

Stainless steel 316
Filter Regulator &
Lubricator

FRL

Port Size

08

Thread

N

Drain

H

Gauge
Options

PG1

FRL Filter Regulator & Lubricator

06 3/4"

08 1"

G BSP

N NPT

H Manual drain

D Auto drain

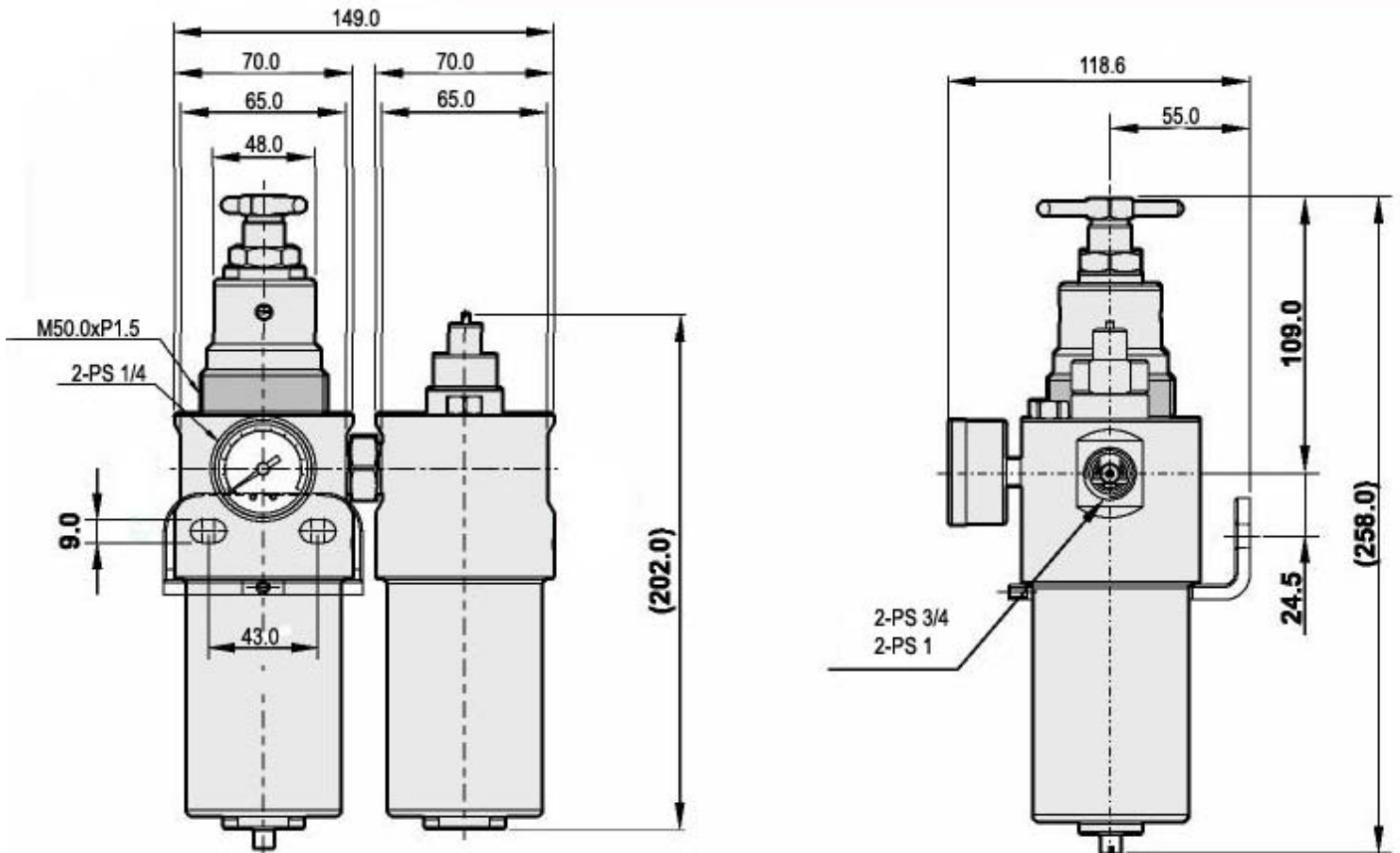
PG1 304 case & 316 wetted parts (standard)

PG2 316 case & wetted parts

Specifications

MODEL	FRL-06	FRL-08
Port Size	3/4"	1"
Fluid	Compressed Air	Compressed Air
Regulator construction	Piston	Piston
Body Material	Stainless Steel 316	Stainless Steel 316
Bowl Material	Stainless Steel 316	Stainless Steel 316
Pressure Gauge Material	Refer Options	Refer Options
Filter Element Material	Stainless Steel 316	Stainless Steel 316
Filtration	5µm standard- 40µm option	5µm standard- 40µm option
Regulating Range	50 - 3000 kPa	50 - 3000 kPa
Maximum Inlet Pressure	4500 kPa	4500 kPa
Maximum Flow Rate	7250 l/min	7600 l/min
Ambient Temperature	-10°C ~ 70°C	-10°C ~ 70°C
Lubricator Oil (recommended)	ISO-VG32	ISO-VG32
Filter Bowl Capacity	200cc	200cc
Lubricator Bowl Capacity	220cc	220cc
Standard Drain	Manual	Manual
Net Weight	5500g	5500g
Accessories	Pressure gauge, mounting bracket and 2x screws	Pressure gauge, mounting bracket and 2x screws

STAINLESS STEEL F.R.L COMBINATION
Filter regulator & Lubricator



Dimensions in mm



Unit 1, 8 Baretta Road
WANGARA WA 6065
Tel : 08 9409 7566
Fax: 08 94097153
Email sales@zedflo.com.au
Web www.zedflo.com.au