



STAINLESS STEEL FILTER REGULATOR

Features

- For high pressure use, up to 4500 kPa inlet
- Ideal for corrosive, marine and chemical environments
- Effectively removes water and particles
- Accurate and sensitive pressure setting

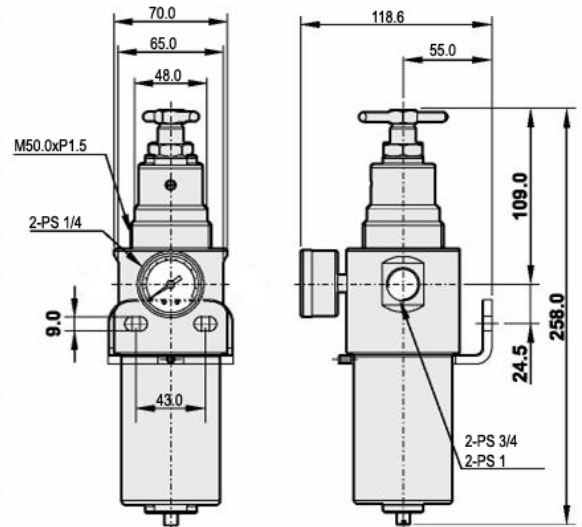
How to Order

Stainless steel 316 filter regulator	Port Size	Thread	Drain	Options
FR	06	N	H	PG1
FR Filter Regulator	06 3/4" 08 1"	G BSP N NPT	H Manual drain D Auto drain	PG1 304 case & 316 wetted parts (standard) PG2 316 case & wetted parts



Specifications

MODEL	FR-06	FR-08
Port Size	3/4"	1"
Fluid	Compressed Air	Compressed Air
Regulator Construction	Piston	Piston
Body Material	Stainless Steel 316	Stainless Steel 316
Bowl Material	Stainless Steel 316	Stainless Steel 316
Pressure Gauge Material	Refer options	Refer options
Filter Element Material	Stainless Steel 316	Stainless Steel 316
Filtration	5µm standard- 40µm option	5µm standard- 40µm option
Regulating Range	50 - 3000 kPa	50 - 3000 kPa
Maximum Inlet Pressure	4500 kPa	4500 kPa
Maximum Flow Rate	7250 l/min	7650 l/min
Ambient Temperature	-10°C ~ 70°C	-10°C ~ 70°C
Filter Bowl Capacity	200cc	200cc
Standard Drain	Manual	Manual
Net Weight	3000g	3000g
Accessories	Pressure Gauge, mounting bracket, plug and 2x screws	Pressure Gauge, mounting bracket, plug and 2x screws



Dimensions in mm



Unit 1, 8 Baretta Road
 WANGARA WA 6065
 Tel: 08 9409 7566
 Fax: 08 9409 7153
 Email sales@zedflo.com.au
 Web www.zedflo.com.au