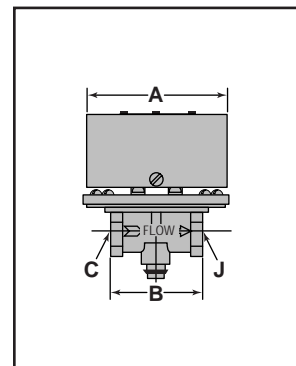
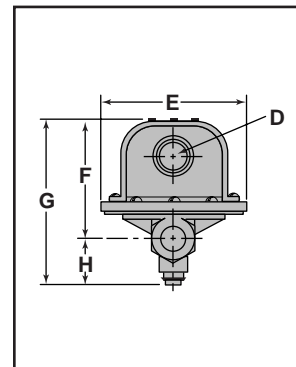


## Flow Switches – Liquid (continued)

### Series FS1

#### High Sensitivity Liquid Flow Switches

- For general purpose applications where high sensitivity is required and moderate or low flow rates are encountered such as air conditioning, heating and hydronic systems, water, fuel oil, some viscous liquids and oils in process work
- In-line configuration eliminates need for a pipe tee
- High flow capacity
- 1/2" (15mm) NPT
- Single pole, double throw snap switch
- Switch compartment is completely sealed to protect it from the liquid
- Sensitivity adjusting screw makes flow adjustment easy
- Optional features
  - BSPT threads
  - Gold plated contacts
- Minimum temperature (fluid or ambient) 32°F (0°C)
- Maximum temperature 225°F (107°C)
- Maximum operating pressure 100 psi (7 kg/cm<sup>2</sup>)



### Electrical Ratings

Voltage	Motor Switch Rating (Amperes)		Pilot Duty
	Full Load	Locked Rotor	
120 VAC	7.4	44.4	125 VA at 120 or 240 VAC 50 or 60 cycles
240 VAC	3.7	22.2	

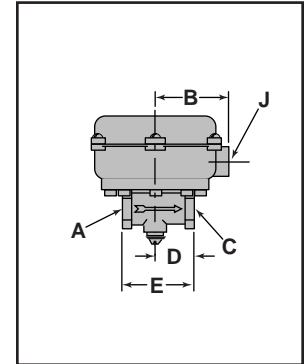
### Dimensions, in. (mm)

A	B	C NPT	D	E	F	G	H	J NPT
3 <sup>3</sup> / <sub>4</sub> (95)	2 <sup>5</sup> / <sub>8</sub> (67)	1/2 (15)	7/8 (22)	3 <sup>13</sup> / <sub>16</sub> (97)	3 <sup>3</sup> / <sub>16</sub> (81)	4 <sup>7</sup> / <sub>16</sub> (113)	1 <sup>1</sup> / <sub>4</sub> (32)	1/2 (15)

## Flow Switches – Liquid

### Model FS1-W High Sensitivity Liquid Flow Switches

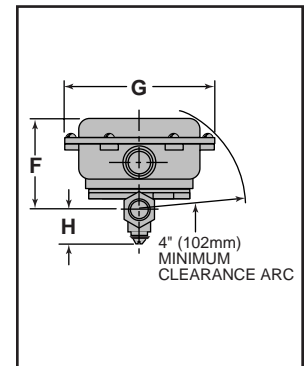
- For applications requiring a water-tight, dust-tight, or a NEMA 4X rated flow switch



#### Dimensions, in. (mm)

A NPT	B	C NPT	D	E
1/2 (15)	2 5/8 (67)	1/2 (15)	1 3/8 (35)	2 5/8 (67)

F	G	H	J NPT
3 7/16 (87)	5 1/2 (140)	1 1/4 (32)	1/2 (15)



#### Ordering Information

Model Number	Part Number	Description	Weight lbs. (kg)
FS1	113200	High sensitivity flow switch	1.7 (.77)
FS1-G	113250	FS1 w/gold plated contacts	3.0 (1.4)
FS1-J	113550	FS1 w/BSPT threads	3.0 (1.4)
FS1-W	113601	FS1 NEMA 4X rated	3.3 (1.5)

#### Flow Rates

Settings	Mode of Operation		Max. Flow Rate (GPM) w/o Paddle Damage
	Flow gpm (lpm)	No Flow gpm (lpm)	
Factory or Minimum	0.41 (1.55)	0.24 (.91)	9.48
Maximum	1.81 (6.85)	1.28 (4.84)	

Values are ± 10%

**NOTE: DO NOT USE LIQUID FLOW SWITCHES ON SYSTEMS WITH FLOW GREATER THAN 10 FEET (3M) PER SECOND.**