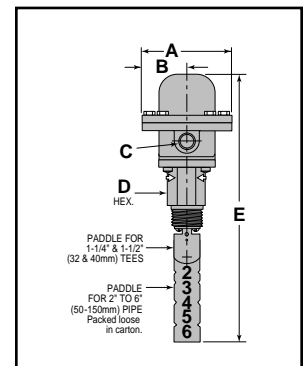
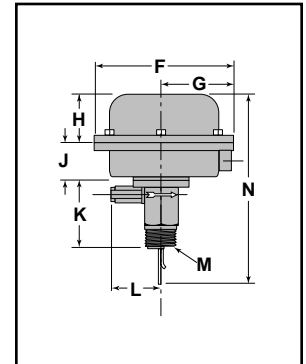


## Flow Switches – Liquid (continued)

### Series FS7-4W (for specified models) Industrial Liquid Flow Switches

- For applications requiring a water-tight, dust-tight or a **NEMA 4X** rated flow switch
- 1¼" (32mm) NPT
- Brass with sealed tube construction
- Single pole, double throw snap switch
- Magnetic switching mechanism eliminates need for bellows
- Sensitivity adjusting screw makes flow adjustment easy
- Paddles can be trimmed to suit application needs
- Optional features
  - Extended paddle arm
  - Stainless steel
  - BSPT threads
- Minimum temperature (fluid or ambient) -65°F (-54°C)
- Maximum temperature 300°F (149°C)
- Maximum operating pressure
  - 300 psi (21 kg/cm<sup>2</sup>)
  - 1000 psi (70 kg/cm<sup>2</sup>) – Stainless Steel models



### Electrical Ratings

| Voltage | Motor Switch Rating (Amperes) |              | Pilot Duty                                     |
|---------|-------------------------------|--------------|------------------------------------------------|
|         | Full Load                     | Locked Rotor |                                                |
| 120 VAC | 7.4                           | 44.4         | 125 VA at<br>120 or 240 VAC<br>50 or 60 cycles |
| 240 VAC | 3.7                           | 22.2         |                                                |

### Dimensions, in. (mm)

| A                                   | B                                   | C<br>NPT                            | D                                  | E                                    | F                                       | G                                    |
|-------------------------------------|-------------------------------------|-------------------------------------|------------------------------------|--------------------------------------|-----------------------------------------|--------------------------------------|
| 4 <sup>5</sup> / <sub>8</sub> (117) | 2 <sup>5</sup> / <sub>16</sub> (59) | ½ (25)                              | 1 <sup>3</sup> / <sub>4</sub> (45) | 13 <sup>3</sup> / <sub>4</sub> (350) | 7 <sup>1</sup> / <sub>4</sub> (184)     | 3 <sup>25</sup> / <sub>32</sub> (96) |
| H                                   | J                                   | K                                   | L                                  | M<br>NPT                             | N                                       |                                      |
| 2 <sup>7</sup> / <sub>16</sub> (62) | 1 <sup>5</sup> / <sub>16</sub> (24) | 3 <sup>7</sup> / <sub>16</sub> (87) | 2 <sup>5</sup> / <sub>8</sub> (67) | 1 <sup>1</sup> / <sub>4</sub> (32)   | 9 <sup>11</sup> / <sub>16</sub> (246.6) |                                      |

## Flow Rates

| Pipe Size NPT in. (mm) | Settings           | Mode of Operation |                   | Max. Flow Rate gpm (lpm) w/o Paddle Damage |
|------------------------|--------------------|-------------------|-------------------|--------------------------------------------|
|                        |                    | Flow gpm (lpm)    | No Flow gpm (lpm) |                                            |
| 1¼ (32)                | Factory or Minimum | 4.8 (18.2)        | 3 (11.4)          | 47 (177.9)                                 |
|                        | Maximum            | 7.7 (29.1)        | 5.9 (22.3)        |                                            |
| 1½ (40)                | Factory or Minimum | 6.3 (23.8)        | 3.6 (13.6)        | 63 (238.5)                                 |
|                        | Maximum            | 10 (37.9)         | 7 (26.5)          |                                            |
| 2 (50)                 | Factory or Minimum | 9.9 (37.5)        | 5.9 (22.3)        | 105 (397.4)                                |
|                        | Maximum            | 15.8 (59.8)       | 11 (41.6)         |                                            |
| 2½ (65)                | Factory or Minimum | 15.3 (57.9)       | 9.5 (36)          | 149 (564)                                  |
|                        | Maximum            | 23.7 (89.7)       | 17 (64.3)         |                                            |
| 3 (80)                 | Factory or Minimum | 24.4 (92.4)       | 15.4 (58.3)       | 230 (870.6)                                |
|                        | Maximum            | 35.5 (134.4)      | 29.2 (110.5)      |                                            |
| 4 (100)                | Factory or Minimum | 33.3 (126)        | 21.1 (79.9)       | 397 (1502.7)                               |
|                        | Maximum            | 61.4 (232.4)      | 37.7 (142.7)      |                                            |
| 5 (125)                | Factory or Minimum | 44.4 (168.1)      | 31 (117.3)        | 654 (2475.4)                               |
|                        | Maximum            | 84 (317.9)        | 51 (193)          |                                            |
| 6 (150)                | Factory or Minimum | 56.3 (213.1)      | 48.7 (184.3)      | 900 (3406.5)                               |
|                        | Maximum            | 114.8 (434.5)     | 71 (270.6)        |                                            |
| 8 (200)*               | Factory or Minimum | 104 (393.6)       | 89 (336.9)        | 1,500 (5677.5)                             |
|                        | Maximum            | 210 (794.9)       | 131 (495.8)       |                                            |
| 10 (250)*              | Factory or Minimum | 184 (696.4)       | 157 (594.2)       | 2,500 (9462.5)                             |
|                        | Maximum            | 369 (1397)        | 231 (874.3)       |                                            |
| 12 (300)*              | Factory or Minimum | 289 (1094)        | 247 (934.9)       | 3,500 (13,247.5)                           |
|                        | Maximum            | 582 (2203)        | 363 (1374)        |                                            |
| 14 (355)*              | Factory or Minimum | 387 (1465)        | 323 (1223)        | 4,000 (15,140)                             |
|                        | Maximum            | 753 (2850)        | 495 (1874)        |                                            |
| 16 (405)*              | Factory or Minimum | 513 (1942)        | 428 (1620)        | 5,000 (18,925)                             |
|                        | Maximum            | 998 (3777)        | 656 (2483)        |                                            |

Values are ± 10%

\* Equipped with a 6" (152mm) paddle

## Ordering Information

| Model Number | Part Number | Description                           | Weight lbs. (kg) |
|--------------|-------------|---------------------------------------|------------------|
| FS7-4W       | 120201      | FS7-4 w/NEMA 4X enclosure             | 12.3 (5.6)       |
| FS7-4SW      | 120191      | FS7-4W w/SS body                      | 11.7 (5.3)       |
| FS7-4WJ      | 120261      | FS7-4W w/BSPT connections             | 12.3 (5.6)       |
| FS7-4SWJ     | 120197      | FS7-4SW w/BSPT connections            | 11.7 (5.3)       |
| FS7-4WL      | 120301      | FS7-4W w/extended paddle & paddle arm | 12.7 (5.8)       |
| FS7-4WLJ     | 120361      | FS7-4WL w/BSPT connections            | 12.7 (5.8)       |
| FS7-4WJ-E    | 120262      | FS7-4WJ - CE conformance rated        | 12.7 (5.8)       |

See page 186 for CE Conformance information

**NOTE: DO NOT USE LIQUID FLOW SWITCHES ON SYSTEMS WITH FLOW GREATER THAN 10 FEET (3M) PER SECOND.**