

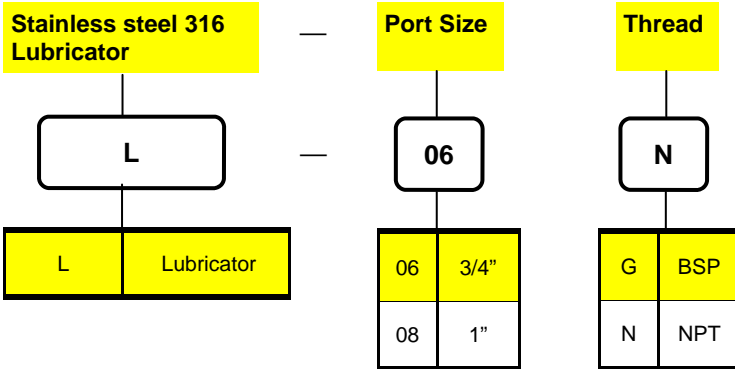


## STAINLESS STEEL LUBRICATOR

### Features

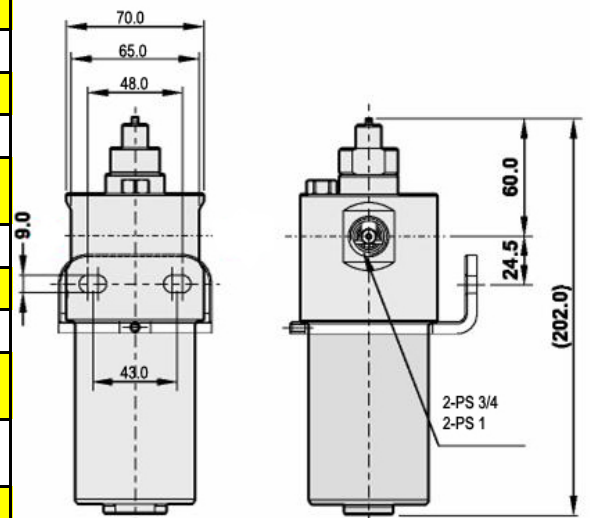
- For high pressure use, up to 4500 kPa inlet
- Ideal for corrosive, marine and chemical environments
- Lubricator oil can be replenished in operation
- Oil spray in mist ensures good lubrication for machines

### How to Order



### Specifications

MODEL	L-06	L-08
Port Size	3/4"	1"
Fluid	Compressed Air	Compressed Air
Body Material	Stainless Steel 316	Stainless Steel 316
Bowl Material	Stainless Steel 316	Stainless Steel 316
Operating Pressure Range	50 - 4500 kPa	50 - 4500 kPa
Maximum Inlet Pressure	4500 kPa	4500 kPa
Maximum Flow Rate	7250 l/min	7650 l/min
Ambient Temperature	-10°C ~ 70°C	-10°C ~ 70°C
Lubricator Oil (Recommended)	ISO-VG32	ISO-VG32
Lubricator Bowl Capacity	200cc	200cc
Net Weight	2500g	2500g
Accessories	Mounting bracket and 2x screws	Mounting bracket and 2x screws



Dimensions in mm



Unit 1, 8 Baretta Road  
 WANGARA WA 6065  
 Tel : 08 9409 7566  
 Fax: 08 94097153  
 Email [sales@zedflo.com.au](mailto:sales@zedflo.com.au)  
 Web [www.zedflo.com.au](http://www.zedflo.com.au)