

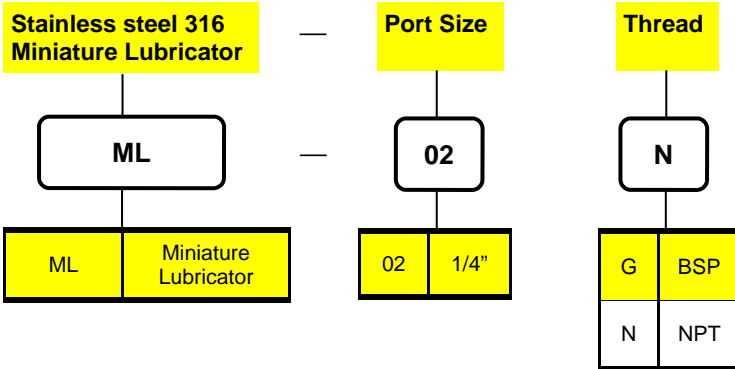


STAINLESS STEEL MINIATURE LUBRICATOR

Features

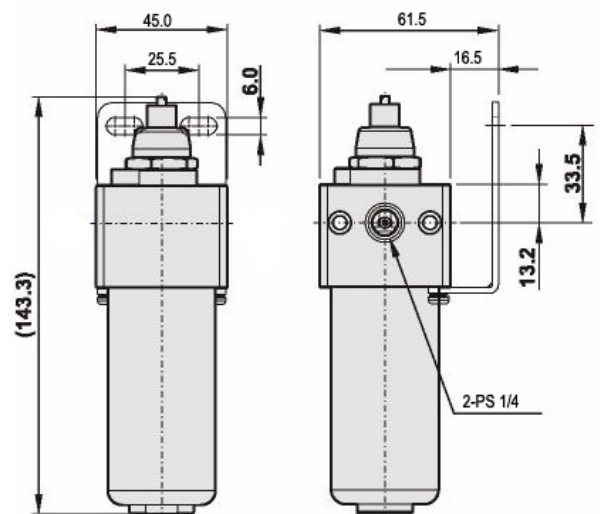
- For medium pressure use, up to 2000 kPa inlet
- Ideal for corrosive, marine and chemical environments
- Lubricator oil can be replenished in operation
- Oil spray in mist ensures good lubrication for machines
- Light weight, & compact

How to Order



Specifications

MODEL	ML
Port Size	1/4"
Fluid	Compressed Air
Body Material	Stainless Steel 316
Bowl Material	Stainless Steel 316
Operating Pressure Range	50 - 2000 kPa
Maximum Inlet Pressure	2000 kPa
Maximum Flow Rate	2500 l/min
Ambient Temperature	-10°C ~ 60°C
Lubricator Oil (Recommended)	ISO-VG32
Lubricator Bowl Capacity	125cc
Net Weight	1200g
Accessories	Mounting bracket, plug and 2x screws



Dimensions in mm



Unit 1, 8 Baretta Road
WANGARA WA 6065
Tel : 08 9409 7566
Fax: 08 94097153
Email sales@zedflo.com.au
Web www.zedflo.com.au