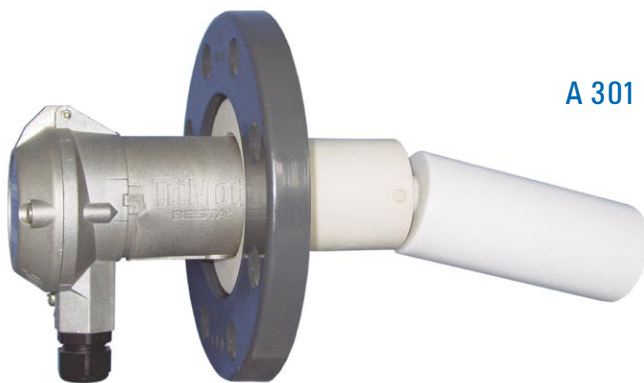


The Plastic Range for corrosive or high purity media

The main feature of the Plastic Range is that all wet-side materials are in corrosion resistant plastics such as PP, PTFE or PVDF. Following are four typical examples, but these are by no means the limit of possible combinations which can be specified by reference to the module descriptions on pages 17 to 31.

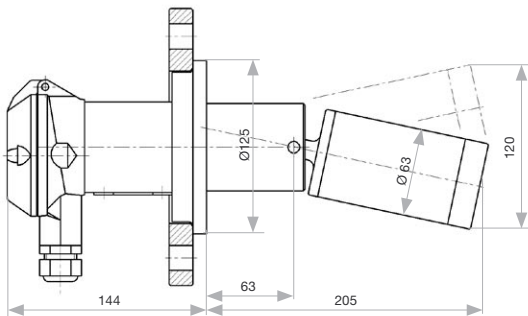
Vacuum Applications:

For vacuum duty a modified sealing must be used, suffix to flange code is E20, e.g. A 301E20 99. This must be specified in the purchase order. The vacuum sealing unit is capable of operating to 0 bar absolute pressure. Proven application areas: chemical engineering, electroplating, food industry, etc.



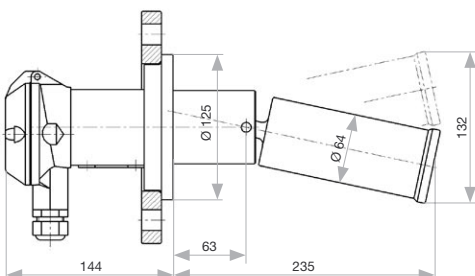
A 301 99 For general use in PP

Nominal pressure	PN 10	max. 10 bar up to 25°C
		max. 5 bar at 45°C
		max. 2.5 bar at 60°C
Operating temperature	0 to 60°C	
Ambient temperature	0 to 60°C	
Density of liquid	min. 0.65 kg/dm ³	
Operating differential	fixed 12 mm	
Rod extension	see page 31	
Wet-side material	PP	
Flange material	Seal part: PP Composite flange: PVC	
Switch housing material	Sea water resistant die cast aluminium	
Flange	DN 80, PN 10 to DIN 2632	
Flange facing	Raised face type C, DIN 2526	
Switch element	Microswitch SPDT silver contacts	
Switch rating	5A/250 VAC	5A/30 VDC
Enclosure	IP 65	
Weight	approx. 1.9 kg	



A 304 98 For high temperature and corrosive applications in PTFE

Nominal pressure	PN 10	max. 10 bar up to 50°C
		max. 6 bar at 100°C
		max. 3 bar at 200°C
Operating temperature	0 to 200°C	
Ambient temperature	0 to 70°C	
Density of liquid	min. 0.8 kg/dm ³	
Operating differential	fixed 12 mm	
Rod extension	see page 31	
Wet-side material	PTFE	
Flange material	Seal part: PTFE 25% GRP Composite flange: H II, zinc galvanised, yellow passivated	
Switch housing material	Sea water resistant die cast aluminium	
Flange	DN 80, PN 10 to DIN 2632	
Flange facing	Raised face type C, DIN 2526	
Switch element	Microswitch SPDT silver contacts	
Switch rating	5A/250 VAC	5A/30 VDC
Enclosure	IP 65	
Weight	approx. 5 kg	

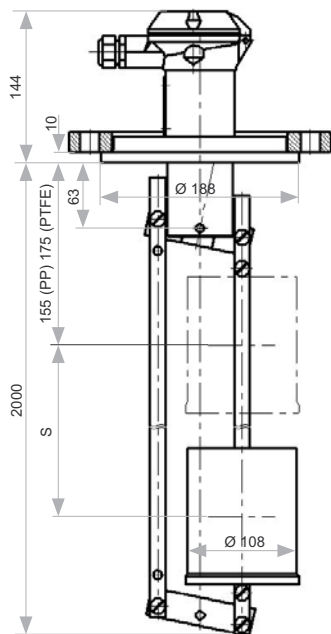




A 501 97 For vertical mounting in PP

For alarm or pump control

Nominal pressure	PN 10 max. 10 bar up to 25°C max. 5 bar at 45°C max. 2.5 bar at 60°C
Operating temperature	0 to 60°C
Ambient temperature	0 to 60°C
Density of liquid	min. 0.5 kg/dm ³
Operating differential S	12 to 1730 mm
Wetside material	PP
Flange material	Seal part: PP Composite flange: PVC
Switch housing material	Sea water resistant die cast aluminium
Flange	DN 125, PN 10 according DIN 2632
Flange facing	Raised face type C, DIN 2526
Switch element	Microswitch SPDT silver contacts
Switch rating	5A/250 VAC 5A/30 VDC
Enclosure	IP 65
Weight	approx. 3.1 kg



A 504 96 PTFE wetside for highly corrosive liquids, vertical mounting

For alarm or pump control

Nominal pressure	PN 10 max. 10 bar up to 50°C max. 6 bar at 100°C max. 3 bar at 200°C
Operating temperature	0 to 200°C
Ambient temperature	0 to 70°C
Density of liquid	min. 0.9 kg/dm ³
Operating differential S	12 to 1700 mm
Wetside material	PTFE
Flange material	Seal part: PTFE with 25% GRP Composite flange: H II, zinc galvanised, yellow passivated
Switch housing material	Sea water resistant die cast aluminium
Flange	DN 125, PN 10 according DIN 2632
Flange facing	Raised face type C, DIN 2526
Switch element	Microswitch SPDT silver contacts
Switch rating	5A/250 VAC 5A/30 VDC
Enclosure	IP 65
Weight	approx. 7.7 kg