



*The  
Sampling  
Connection*

## **ISOLOK<sup>®</sup> SERIES SAK BULK SOLIDS SAMPLER**



**ISOLOK<sup>®</sup> SERIES SAK SAMPLER**

### ***Gravity Discharge Design Enables Reliable Sample Collection***

#### ***Features***

- Collects samples from slide or vertical drop chutes or direct from open processes
- Single moving part collects accurate and repeatable 18 cc sample volume
- Gravity-discharge design for powder, flakes or pellets up to 11/32" / 9 mm size
- Heavy 316 stainless steel construction features chrome-hardened body bore
- Field-replaceable, application-specific seals include EPDM, polyurethane elastomers and more
- Split-clamped mating ferrules and 2" / 5 cm smooth-bore mounting port facilitate easy installation

#### ***Description***

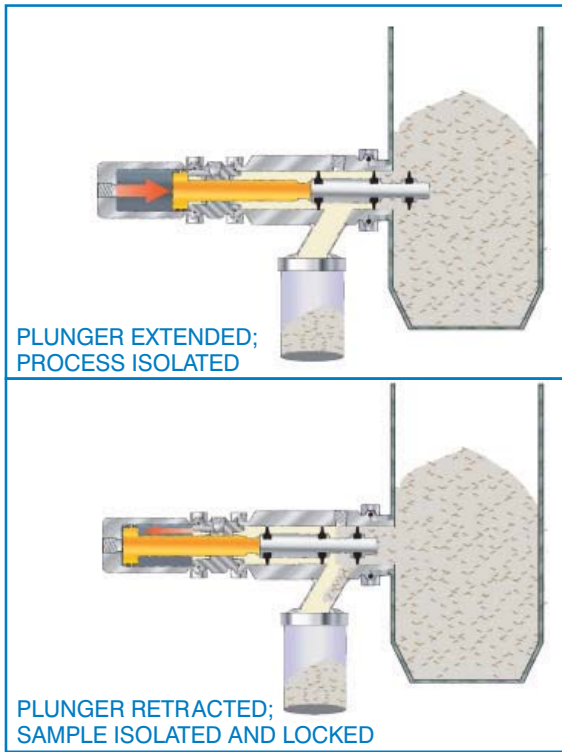
The ISOLOK<sup>®</sup> Series SAK Bulk Solids Sampler provides a simple, reliable means of collecting representative samples of flowable powders, flakes or granules. Materials such as salt, cement, fertilizer, alumina, gypsum, and food products are sampled from process streams at atmospheric pressure. An auxiliary top body port enables air ejection of non-free-flowing materials.

An air cylinder extends a single plunger into the process material, then immediately withdraws, carrying a fixed amount of sample trapped in an annular ring between plunger seals. Process or flow ports are always closed, preventing leaks or product loss. There are no tubes or passages to become clogged. The gravity-discharged sample is transferred directly to a closed container. Sample integrity is maintained while contamination of personnel or facility is eliminated.

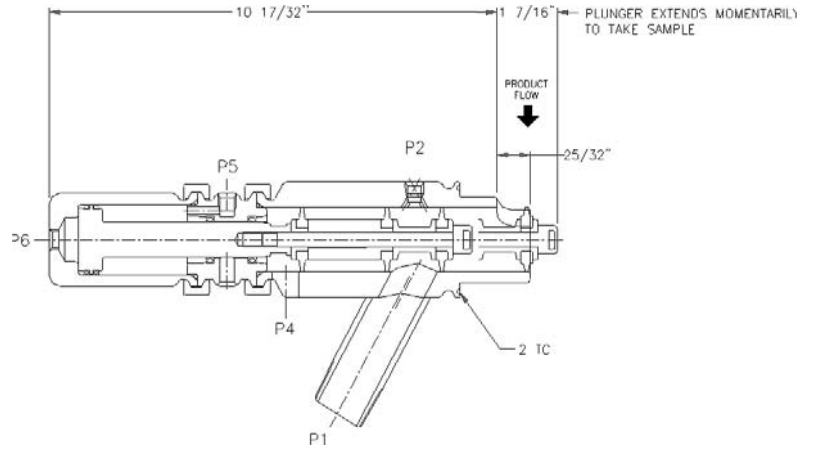
ISOLOK<sup>®</sup> Series SAK Samplers can be used for composite, batch or analysis sampling techniques. Composite sampling is accomplished by obtaining a series of precisely measured material samples at set intervals or adjusted in response to product flow. Samples can be collected in common or individual containers. Batch or analysis sampling in response to immediate need or on-line process control interface is facilitated using single or rapid-cycling material withdrawal.

A complete line of programmable automatic controls is available for use in general purpose as well as hazardous environments.

## SAMPLING PROCESS



## TECHNICAL DATA



ISOLOK® SERIES SAK SAMPLER

## SPECIFICATIONS

Sample Volume per Cycle	maximum 1.1 cu. in. / 18 cc
Maximum Particle Size	0.34" / 9 mm
Operating Cycle Range	maximum 20 samples / minute
Body Material	316 stainless steel; other alloys available
Plunger Material	316 stainless steel; other alloys available
Plunger Bore x Stroke	1.157" x 2" / 29 mm x 50 mm or 1.375" x 2" / 35 mm x 50 mm
Plunger Seal Material	filled Teflon®, polyurethane, EPDM & others available
Actuator Material	316 stainless steel; other alloys available
Actuator Seal Material	filled Teflon®; others available
Static Seal Material	fluoroelastomer; others available
Sample Temperature Range	-275° to 575° F / -170° to 302° C; depending on seal material & duty cycle
Ambient Operating Temperature Range	-5° to 131° F / -20° to 55° C; depending on seal material
Line Mount Adapter Type	2" / 50 mm clamp ferrule
Compressed Air Requirement	0.60 SCFM @ 30 psi / maximum cycle range
Overall Dimensions, length x diameter	10.56" x 5.00" / 268 mm x 127 mm
Net Weight, not including controller or accessories	10 lbs. / 4.5 kg



### SENTRY EQUIPMENT CORP

856 East Armour Road  
PO Box 127  
Oconomowoc, WI 53066 USA  
Phone: 262-567-7256  
Fax: 262-567-4523

**E-mail:**  
sales@sentry-equip.com

**Website:**  
www.sentry-equip.com

*The Sampling Connection*

For further information, contact: