



WELDED DIAPHRAGM SEALS

Offering the Premier Pressure Gauge / Mini-Seal Combination

ADVANTAGES

PROVEN PERFORMANCE

Gearless, Direct Drive Design sets the industry standard for vibration, pulsation and shock. Performance without gauge fill fluid means sanitary environment friendly.

RELIABLE ACCURACY

Accuracy is 50% less affected by temp fluctuations. Requires 85% less fill fluid vs. the competition. Compact, low-volume design significantly reduces the impact of temperature on gauge accuracy.

ELIMINATE LEAK PATHS

Sleek, all-welded design customized to perform specifically on Perma-Cal® gauges and eliminate potential leak paths.

PRICE ADVANTAGE

Superior performance at a superior price. Perma-Cal® Gauge on Mini-Seal versus C-Tube Gauge on Mini or Standard Seal

The choice is clear.



ACCURACY (Ref. @ 68°F, ±2°F)

±.5% F.S. at M.S. / ±1% F.S.
±.5% F.S. (Grade 2A)

RANGE AVAILABILITY

Vacuum to 1,000 psi (or equivalent)
Single Scale, Dual Scale, Vacuum and Compound psi, bar, kPa, kg/cm² (others available)
Gauges below 100 psi may see loss of accuracy at low pressures.

DIAL

Stainless Steel, Powder Coated Finish
Standard: White with Black Markings
Ray Series: Neon Yellow, Black Markings, Red Pointer
Customization available. Contact the factory.

WINDOW

Acrylic
Tempered Glass

POINTER

Anodized Aluminum
Zero-adjustable

DIAPHRAGM SEAL

Material (Wetted Parts): 316 SS or Hastelloy
Connection Type: ½ NPT or ¼ NPT, Male or Female
Burst Pressure: 10,000 psi

FILL FLUID

Standard Fill: Silicone DC200 (or equivalent)
Operating Temp: -40°F to 400°F
Inert Fill: Halocarbon 6.3 (similar to Fluorolube but suitable for vacuum service)
Operating Temp: -40°F to 400°F
High-Temp Fill: Silicone DC704 (or equivalent)
Operating Temp: 0°F to 650°F
Max 200°F in vacuum service for all fills.

CONSULT THE FACTORY FOR OTHER OPTIONS.

CASE CONFIGURATIONS

ABS PLASTIC

COLORS

Black, Blue, Green, Red, White, Yellow (availability varies by size)

OPERATING TEMPERATURE*

Process: -40°F to 650°F

Ambient: -40°F to 190°F



2.5", 4.5" No Flange



4.5" Rear Flange



3.5", 4.5" Turret

METAL

MILITARY GRADE

HIGH TEMP

High performance cases providing extreme temperature, chemical and shock resistance.



2.5" No Flange
Aluminum



4.5" No Flange
SS Case, Alum. Ring



4.5" No Flange
Stainless Steel



3.5", 4.5"
Rear Flange
Aluminum



4.5" Turret
Glass-Filled Nylon

COLORS

SS and Aluminum: Powder Coated Finish (specify color)

Glass-Filled Nylon: Available in yellow only

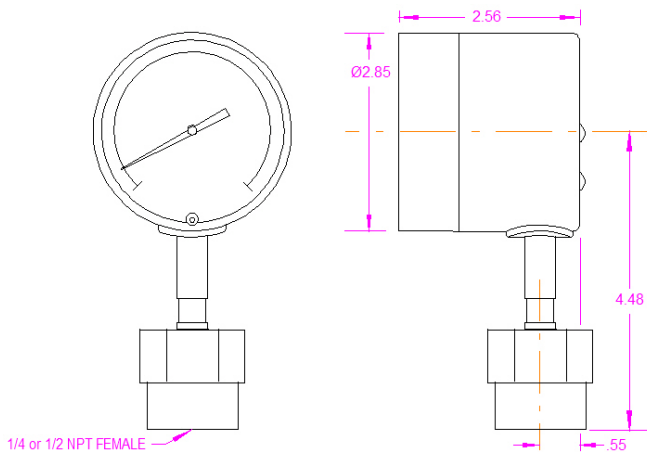
OPERATING TEMPERATURE*

Process: -40°F to 650°F

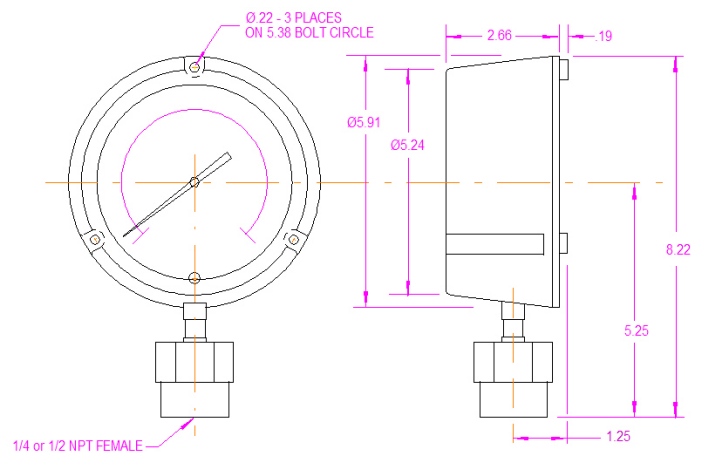
Ambient: -40°F to 400°F

*Case, Diaphragm Seal, and Fill Fluid selection determines operating temperature range.

DIMENSIONAL SPECS (common sizes)



2.5" No Flange Aluminum with Female Mini-Seal



4.5" Turret with Female Mini-Seal